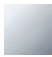





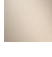





33 504 660



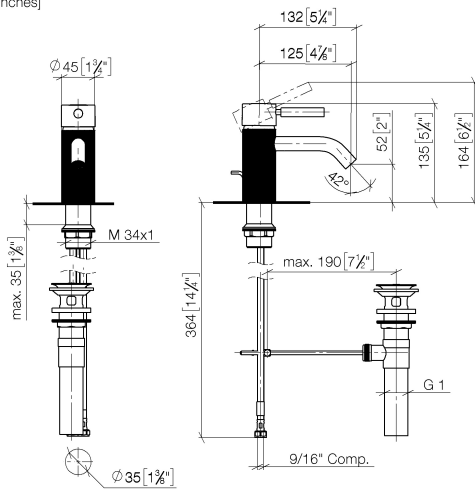
- 125mm projection
- With linear texture
- fixed spout
- circular, air-enriched flow
- height of mixer 135 mm
- height up to aerator 52 mm
- hole diameter 35 mm
- 2x screw-in M 8 x 1 pressure hose, leak-tested
- max. flow 4.5 l/min
- lead-free
- This product can help a building meet the requirements of Green Building Rating Systems, e.g. LEED®, BREEAM®, DGNB

Only suitable for basins with an overflow.

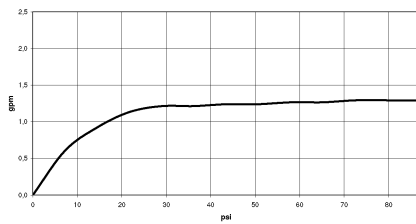
	Chrome	33 504 660-00 0010
	Brushed Platinum	33 504 660-06 0010
	Light Gold	33 504 660-26 0010
	Brushed Light Gold	33 504 660-27 0010
	Matte Black	33 504 660-33 0010
	Brushed Bronze	33 504 660-42 0010
	Brushed Champagne (22kt Gold)	33 504 660-46 0010
	Champagne (22kt Gold)	33 504 660-47 0010
	Brushed Chrome	33 504 660-93 0010
	Brushed Dark Platinum	33 504 660-99 0010

33 504 660

mm [inches]



Flow rate chart



Codes & Standards

California Energy
Commission
(CEC)

Water Sense





META Single-lever basin mixer with pop-up waste - Chrome

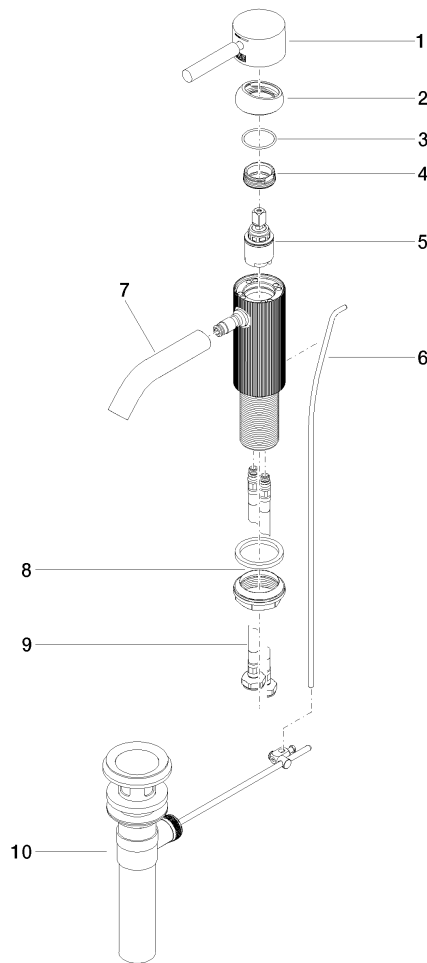
META

33 504 660

Certificates

IAPMO_8834 (2). IAPMO_4976 (7). IAPMO_N-4976 (1). IAPMO_6397 (1).

33 504 660



Spare parts list

No.	Item Number	Name	Quantity used	Delivery time
1	90 20 66 029 00-00	handle	1	10
2	09 28 30 041-00	cover	1	10
3	09 14 10 091 90	seal	1	2
4	09 24 04 266 90	nut	1	2
5	90 15 05 044 00 90	cartridge	1	2
6	09 31 09 110-00	pull-rod	1	10
7	90 11 06 206 01-00	spout	1	10
8	04 23 10 044 07 90	fixing set	1	2
9	04 30 04 102 00 90	High pressure hose 3/8" -	2	2
10	90 11 01 023 00-00	pop-up waste	1	10