






33 505 811



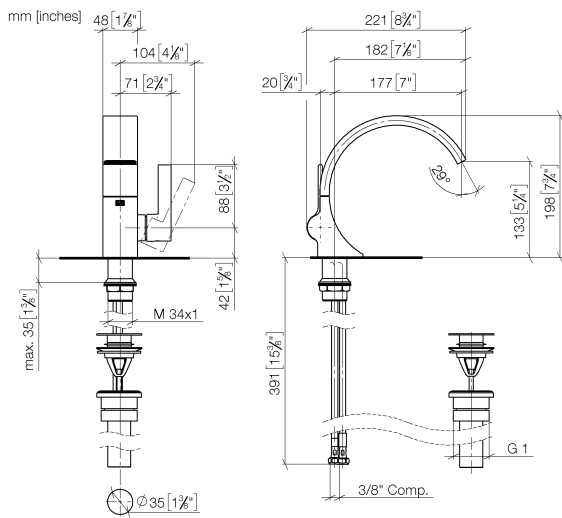
- 177mm projection
- 1 1/4" pop-up waste
- fixed spout
- rectangular, air-enriched flow
- height of mixer 198 mm
- height up to aerator 133 mm
- hole diameter 35 mm
- max. flow 4.5 l/min
- 2 x pressure hose with 3/8" cap nut
- lead-free
- This product can help a building meet the requirements of Green Building Rating Systems, e.g. LEED®, BREEAM®, DGNB

Only suitable for basins with an overflow.

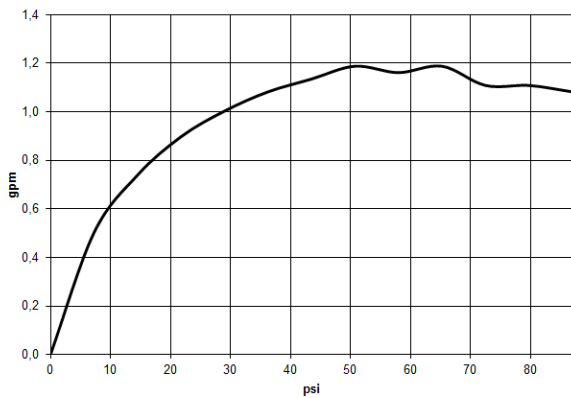
Distance from centre of tap hole to wall min. 55 mm  
or to front edge of basin min. 40 mm.

	Brushed Platinum	33 505 811-06 0010
	Chrome	33 505 811-00 0010
	Dark Chrome	33 505 811-19 0010
	Brushed Durabress (23kt Gold)	33 505 811-28 0010
	Brushed Dark Platinum	33 505 811-99 0010

33 505 811



**Flow rate chart**



**Codes & Standards**

California Energy  
Commission  
(CEC)

Water Sense





## CYO Single-lever basin mixer with pop-up waste - Brushed Platinum

---

CYO

33 505 811

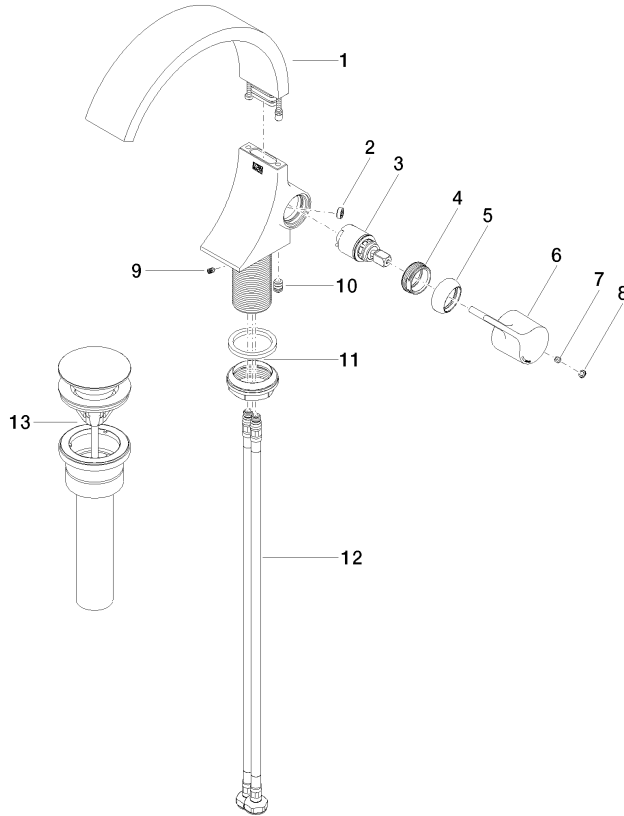
### Certificates

---

IAPMO\_8834 (2). IAPMO\_N-4976 (1). IAPMO\_6397 (1). IAPMO\_4976 (4).

33 505 811

Parts for other finishes can be found here: [Chrome](#)



### Spare parts list

No.	Item Number	Name	Quantity used	Delivery time
1	90 11 70 013 01-06	spout	1	10
2	09 23 01 172 90	flow reducer	1	2
3	90 15 05 044 00 90	cartridge	1	2
4	09 24 04 266 90	nut	1	2
5	09 28 30 021-06	cover	1	10
6	09 20 80 024-06	handle	1	10
7	90 31 11 030 00 90	pin	1	2
8	90 31 20 087 00-06	plug	1	10
9	09 31 11 008 90	pin	1	2
10	90 31 20 129 00 90	plug	1	2
11	04 23 10 044 07 90	fixing set	1	2
12	04 30 04 102 00 90	High pressure hose 3/8" -	2	2
13	10 125 970-06 0010	Basin Waste 1 1/4" - Brushed Platinum	1	2