

**LISSÉ Single-lever basin mixer with raised base with pop-up waste - Dark
Chrome**

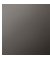


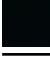


LISSÉ

33 506 845

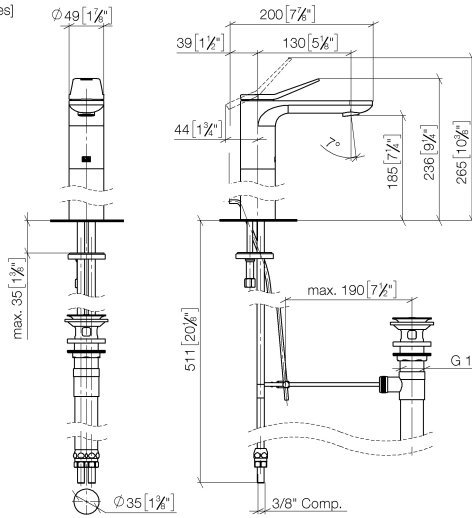


- 130mm projection
- 1 1/4" pop-up waste
- fixed spout
- circular, air-enriched flow
- height of mixer 236 mm
- height up to aerator 185 mm
- hole diameter 35 mm
- 2 x pressure hose with 3/8" cap nut
- max. flow 4.5 l/min
- lead-free
- This product can help a building meet the requirements of Green Building Rating Systems, e.g. LEED®, BREEAM®, DGNB

Only suitable for basins with an overflow.

	Dark Chrome	33 506 845-19 0010
	Chrome	33 506 845-00 0010
	Brushed Platinum	33 506 845-06 0010
	Matte Black	33 506 845-33 0010
	Brushed Chrome	33 506 845-93 0010
	Brushed Dark Platinum	33 506 845-99 0010

33 506 845
mm [inches]



Flow rate chart



Codes & Standards

ADA

ASME
A112.18.1/CSA
B125.1

California Energy
Commission
(CEC)

NSF/ANSI 372

NSF/ANSI/CAN
61



LISSÉ Single-lever basin mixer with raised base with pop-up waste - Dark
Chrome

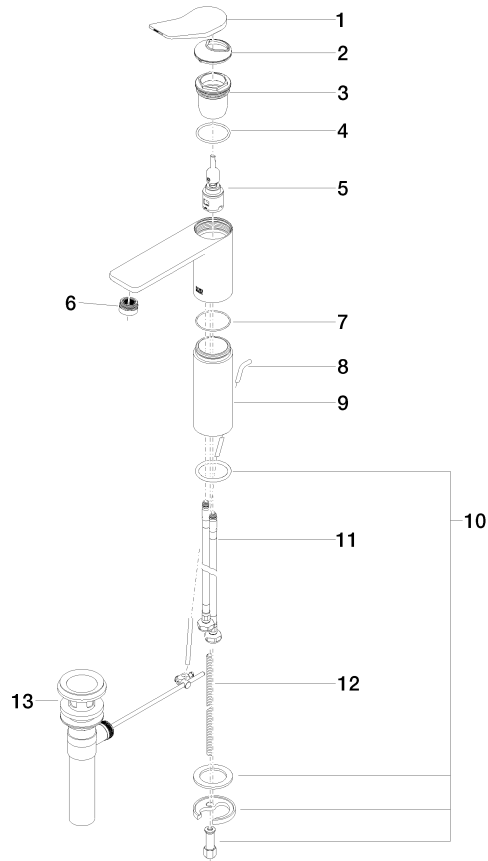
LISSÉ

33 506 845

Certificates

IAPMO_N-4976 (1). IAPMO_6397 (1).

33 506 845
Parts for other
finishes can be found
here: [Chrome](#)



Spare parts list

No.	Item Number	Name	Quantity used	Delivery time
1	90 20 84 020 00-19	handle	1	20
2	09 28 30 034 90	cover	1	2
3	09 23 10 123 90	nut	1	2
4	09 14 10 038 90	seal	1	2
5	90 15 05 042 01 90	cartridge	1	2
6	90 23 01 161 03-19	aerator	1	20
7	09 14 10 108 90	seal	1	2
8	09 31 09 120-19	pull-rod	1	60
9	09 28 22 305-19	sleeve	1	60
10	04 30 11 038 75 90	fixing set	1	2
11	04 30 04 103 00 90	hose	2	2
12	09 31 11 000 90	pin	1	2
13	90 11 01 023 00-19	pop-up waste	1	20