

33 510 661



- 123mm projection
- 1 1/4" pop-up waste
- pivotable spout 360°
- circular, air-enriched flow
- height of mixer 272 mm
- height up to aerator 202 mm
- hole diameter 35 mm
- 2 x pressure hose with 3/8" cap nut
- max. flow 4.5 l/min
- lead-free
- This product can help a building meet the requirements of Green Building Rating Systems, e.g. LEED®, BREEAM®, DGNB

Only suitable for basins with an overflow.

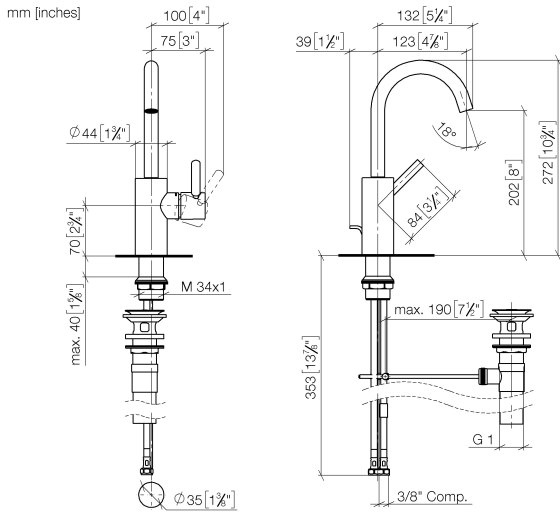
	Chrome	33 510 661-00 0010
	Brushed Platinum	33 510 661-06 0010
	Dark Chrome	33 510 661-19 0010
	Light Gold	33 510 661-26 0010
	Brushed Light Gold	33 510 661-27 0010
	Matte Black	33 510 661-33 0010
	Brushed Bronze	33 510 661-42 0010
	Brushed Champagne (22kt Gold)	33 510 661-46 0010
	Champagne (22kt Gold)	33 510 661-47 0010
	Brushed Chrome	33 510 661-93 0010
	Brushed Dark Platinum	33 510 661-99 0010



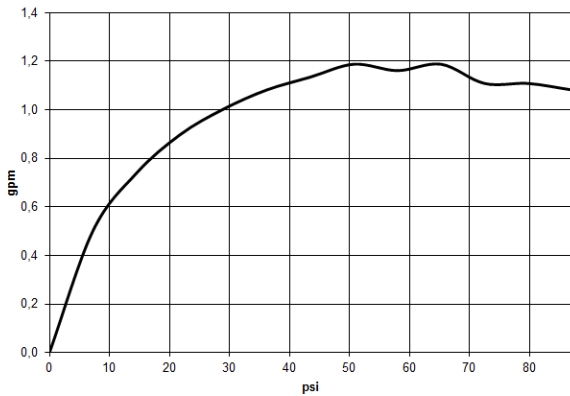
**META Single-lever basin mixer with pop-up waste - Chrome**

META

33 510 661



**Flow rate chart**



**Codes & Standards**

ADA

ASME  
A112.18.1/CSA  
B125.1

California Energy  
Commission  
(CEC)

NSF/ANSI 372

NSF/ANSI/CAN  
61

Water Sense





## META Single-lever basin mixer with pop-up waste - Chrome

---

META

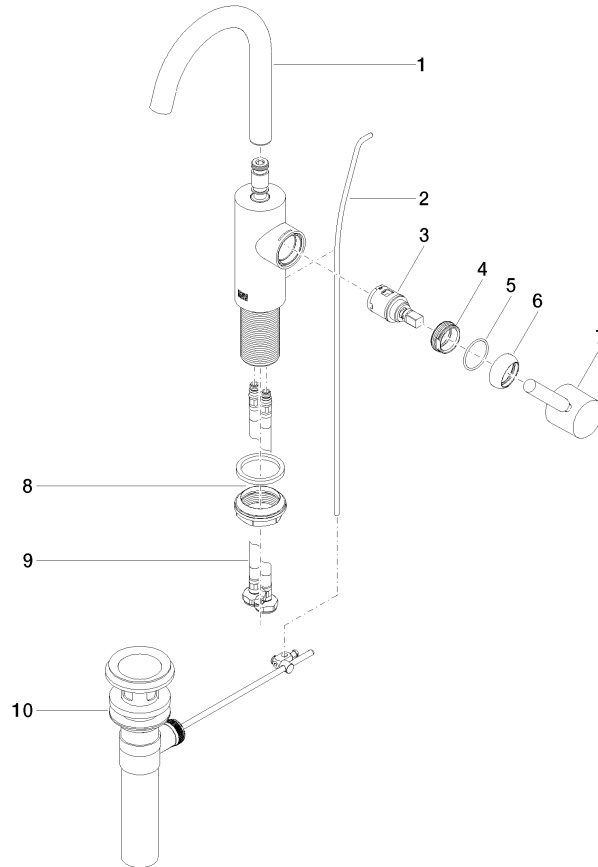
33 510 661

### Certificates

---

IAPMO\_8834 (2). IAPMO\_4976 (6). IAPMO\_N-4976 (1). IAPMO\_6397 (1).

33 510 661



**Spare parts list**

No.	Item Number	Name	Quantity used	Delivery time
1	90 28 22 321 01-00	spout	1	10
2	09 31 09 110-00	pull-rod	1	10
3	90 15 05 042 00 90	cartridge	1	2
4	09 24 04 266 90	nut	1	2
5	09 14 10 091 90	seal	1	2
6	09 28 30 021-00	cover	1	10
7	90 20 66 003 00-00	handle	1	10
8	04 23 10 044 07 90	fixing set	1	2
9	04 30 04 102 00 90	High pressure hose 3/8" -	2	2
10	90 11 01 023 00-00	pop-up waste	1	10