




IMO Single-lever basin mixer without pop-up waste - Brushed Platinum

IMO

33 521 670



- 130mm projection
- fixed spout
- rectangular, air-enriched flow
- height of mixer 154 mm
- height up to aerator 80 mm
- hole diameter 35 mm
- 2 x pressure hose with 3/8" cap nut
- max. flow 4.5 l/min
- lead-free
- This product can help a building meet the requirements of Green Building Rating Systems, e.g. LEED®, BREEAM®, DGNB

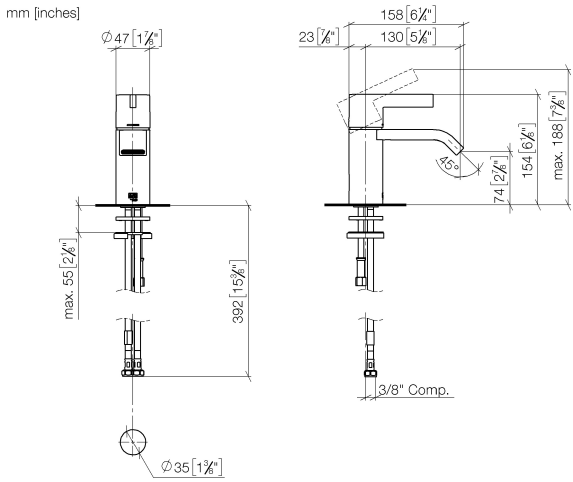
| | | |
|--|------------------|--------------------|
|  | Brushed Platinum | 33 521 670-06 0010 |
|  | Chrome | 33 521 670-00 0010 |
|  | Brushed Chrome | 33 521 670-93 0010 |



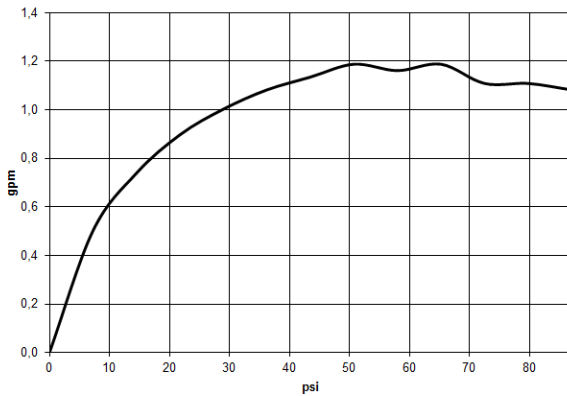
IMO Single-lever basin mixer without pop-up waste - Brushed Platinum

IMO

33 521 670



Flow rate chart



Codes & Standards

| | | | |
|--------|----------------|---------------------------|------------------------------------|
| ADA | ASME A112.18.1 | ASME A112.18.1/CSA B125.1 | California Energy Commission (CEC) |
| cUPC | EPA WaterSense | NSF/ANSI 372 | NSF/ANSI/CAN 61 |
| NSF372 | NSF61 | Water Sense | WaterSense |



IMO Single-lever basin mixer without pop-up waste - Brushed Platinum

IMO

33 521 670

Certificates

IAPMO_4976

IAPMO_8834

IAPMO_6397

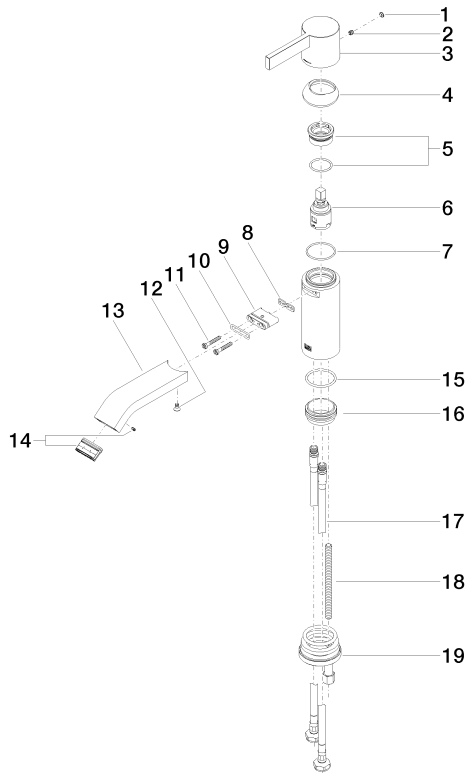
IAPMO_N-4976

33 521 670

Product version up to 10/10/2018

Product version from 10/10/2018 to 5/10/2021

Product version from 5/10/2021





IMO Single-lever basin mixer without pop-up waste - Brushed Platinum

IMO

33 521 670

Spare parts list

Product version up to 10/10/2018

Product version from 10/10/2018 to 5/10/2021

Product version from 5/10/2021

| No. | Item Number | Name | Quantity used | Delivery time |
|-----|--------------------|------|---------------|---------------|
| | 90 31 20 087 00-06 | plug | 21 | 10 |