



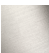



CL.1 Single-lever basin mixer without pop-up waste - Dark Chrome

CL.1

33 521 705



- 173mm projection
- fixed spout
- rectangular spray pattern with 40 individual jets
- height of mixer 226 mm
- base 56 x 52mm
- height up to aerator 212 mm
- hole diameter 35 mm
- 2 x pressure hose with 3/8" cap nut
- max. flow 4 l/min
- lead-free
- This product can help a building meet the requirements of Green Building Rating Systems, e.g. LEED®, BREEAM®, DGNB

	Dark Chrome	33 521 705-19 0010
	Chrome	33 521 705-00 0010
	Brushed Platinum	33 521 705-06 0010
	Brushed Champagne (22kt Gold)	33 521 705-46 0010
	Champagne (22kt Gold)	33 521 705-47 0010
	Brushed Dark Platinum	33 521 705-99 0010

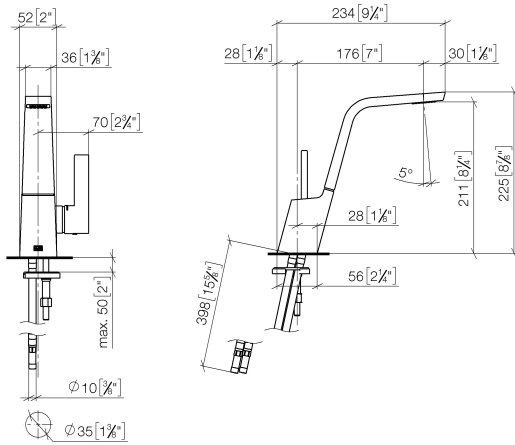


CL.1 Single-lever basin mixer without pop-up waste - Dark Chrome

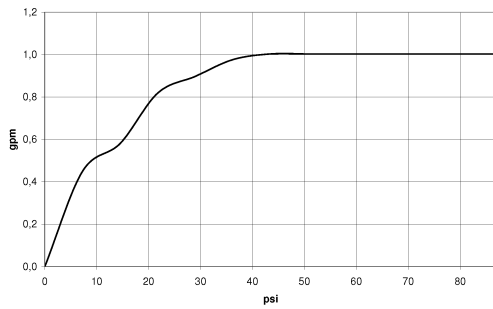
CL.1

33 521 705

mm [inches]



Flow rate chart



Codes & Standards

ADA	ASME A112.18.1/CSA B125.1	California Energy Commission (CEC)	NSF/ANSI 372
NSF/ANSI/CAN 61	NSF372	NSF61	



CL.1 Single-lever basin mixer without pop-up waste - Dark Chrome

CL.1

33 521 705

Certificates

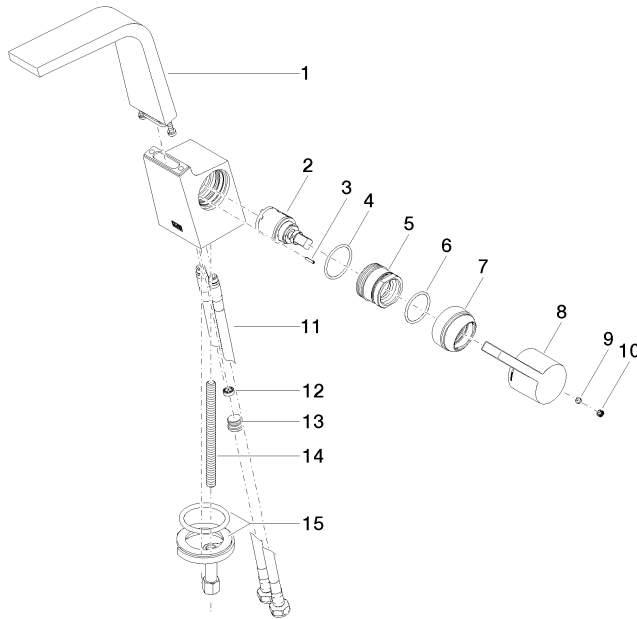
IAPMO_6397

IAPMO_N-4976

33 521 705

Product version from 5/10/2021

Parts for other
finishes can be found
here: [Chrome](#)





CL.1 Single-lever basin mixer without pop-up waste - Dark Chrome

CL.1

33 521 705

Spare parts list

Product version from 5/10/2021

No.	Item Number	Name	Quantity used	Delivery time
	90 11 70 001 00-19	spout	16	20