

CL.1 Single-lever basin mixer without pop-up waste - Brushed Champagne (22kt Gold)

CL.1

33 521 705



- 173mm projection
- fixed spout
- rectangular spray pattern with 40 individual jets
- height of mixer 226 mm
- base 56 x 52mm
- height up to aerator 212 mm
- hole diameter 35 mm
- 2 x pressure hose with 3/8" cap nut
- max. flow 4 l/min
- lead-free
- This product can help a building meet the requirements of Green Building Rating Systems, e.g. LEED®, BREEAM®, DGNB

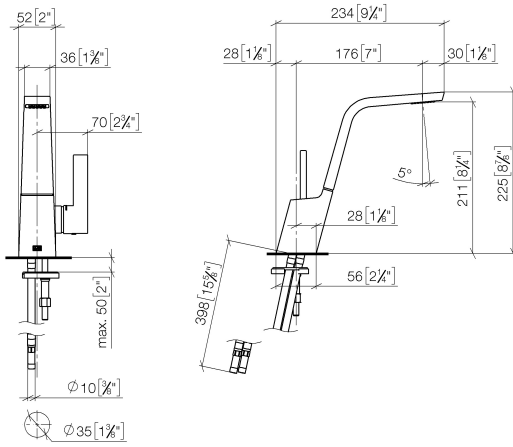
	Brushed Champagne (22kt Gold)	33 521 705-46 0010
	Chrome	33 521 705-00 0010
	Brushed Platinum	33 521 705-06 0010
	Dark Chrome	33 521 705-19 0010
	Champagne (22kt Gold)	33 521 705-47 0010
	Brushed Dark Platinum	33 521 705-99 0010



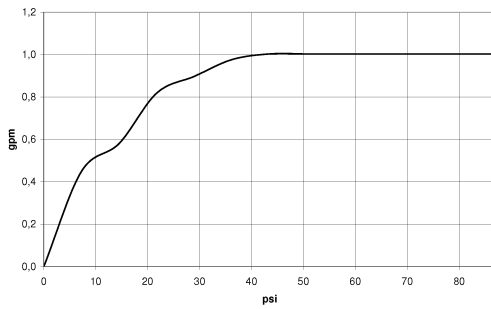
CL.1 Single-lever basin mixer without pop-up waste - Brushed Champagne (22kt Gold)

CL.1

33 521 705
mm [inches]



Flow rate chart



Codes & Standards

ADA

ASME
A112.18.1/CSA
B125.1

California Energy
Commission
(CEC)

NSF/ANSI 372

NSF/ANSI/CAN
61



CL.1 Single-lever basin mixer without pop-up waste - Brushed Champagne
(22kt Gold)

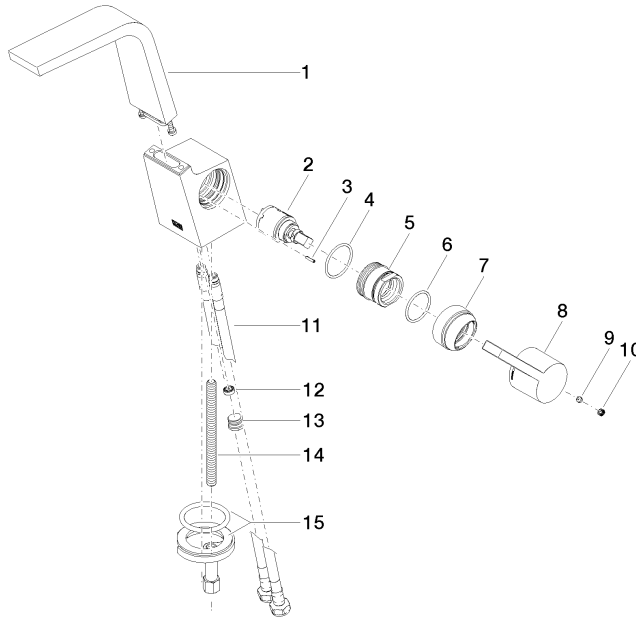
CL.1

33 521 705

Certificates

IAPMO_N-4976 (1). IAPMO_6397 (1).

33 521 705
Parts for other
finishes can be found
here: [Chrome](#)



Spare parts list

No.	Item Number	Name	Quantity used	Delivery time
1	90 11 70 001 00-46	spout	1	30
2	90 15 05 042 00 90	cartridge	1	2
3	09 31 11 152 90	pin	1	2
4	09 14 10 137 90	seal	1	2
5	09 24 04 294 90	sleeve	1	2
6	90 14 10 063 00 90	seal	1	2
7	09 28 30 029-46	cover	1	60
8	09 20 67 010-46	handle	1	60
9	90 31 11 030 00 90	pin	1	2
10	90 31 20 109 00 90	plug	1	2
11	04 30 04 102 00 90	High pressure hose 3/8" -	2	2
12	09 23 01 034 90	flow reducer	1	2
13	04 31 20 039 11 90	plug	1	2
14	09 31 11 012 90	pin	1	2
15	04 30 11 038 75 90	fixing set	1	2