

33 521 710



- 155mm projection
- fixed spout
- circular, air-enriched flow
- height of mixer 113 mm
- height up to aerator 90 mm
- hole diameter 35 mm
- 2 x pressure hose with 3/8" cap nut
- max. flow 4.5 l/min
- lead-free
- This product can help a building meet the requirements of Green Building Rating Systems, e.g. LEED®, BREEAM®, DGNB



Chrome

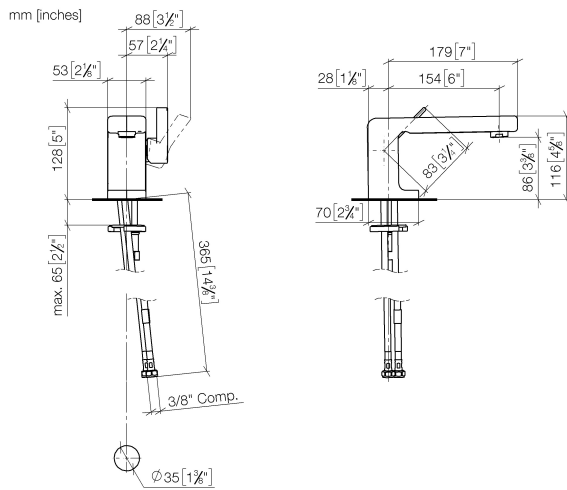
33 521 710-00 0010



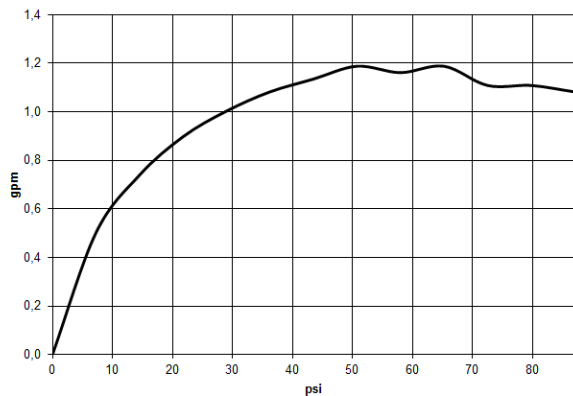
Brushed Platinum

33 521 710-06 0010

33 521 710



Flow rate chart



Codes & Standards

ADA

ASME
A112.18.1/CSA
B125.1

California Energy
Commission
(CEC)

NSF/ANSI 372

NSF/ANSI/CAN
61

Water Sense





LULU Single-lever basin mixer without pop-up waste - Chrome

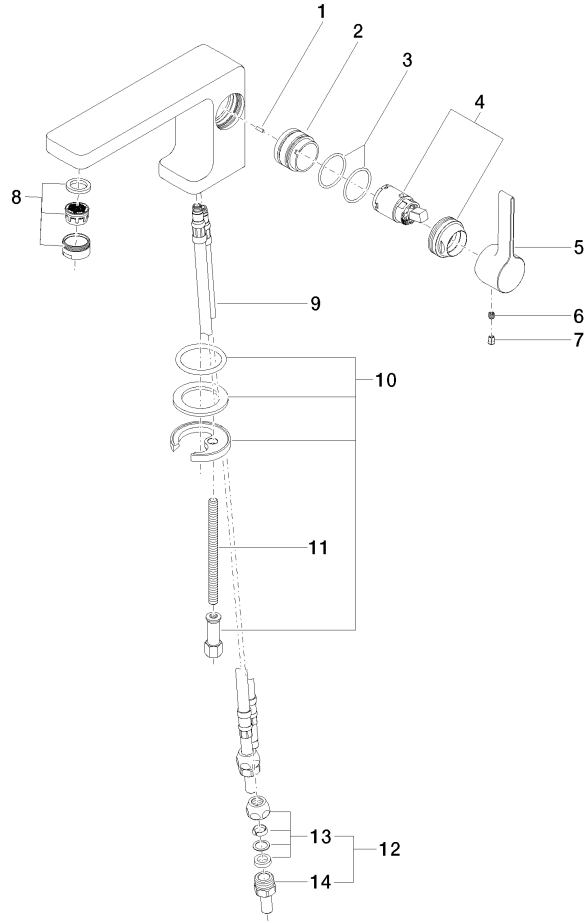
LULU

33 521 710

Certificates

IAPMO_8834 (1). IAPMO_N-4976 (1). IAPMO_4976 (3). IAPMO_6397 (1).

33 521 710



Spare parts list

No.	Item Number	Name	Quantity used	Delivery time
1	09 31 11 111 90	pin	1	2
2	09 18 40 095 10 90	sleeve	1	2
3	09 14 10 137 90	seal	2	2
4	90 15 05 041 00-00	cartridge	1	2
5	09 20 71 040-00	handle	1	10
6	90 31 11 030 00 90	pin	1	2
7	09 31 20 017 90	plug	1	2
8	90 23 01 118 04-00	aerator	1	10
9	04 30 04 018 00 90	hose	2	60
10	04 30 11 038 75 90	fixing set	1	2
11	09 31 11 012 90	pin	1	2
12	04 24 04 222 00-00	adaptor	1	10
13	04 23 30 031 01-07	threaded connector	2	60
14	09 24 04 222 10-00	adaptor	2	10