

33 521 782



- 165mm projection
- fixed spout
- rectangular, air-enriched flow
- height of mixer 310 mm
- height up to aerator 202 mm
- hole diameter 35 mm
- 2 x pressure hose with 3/8" cap nut
- max. flow 4.5 l/min
- lead-free
- This product can help a building meet the requirements of Green Building Rating Systems, e.g. LEED®, BREEAM®, DGNB

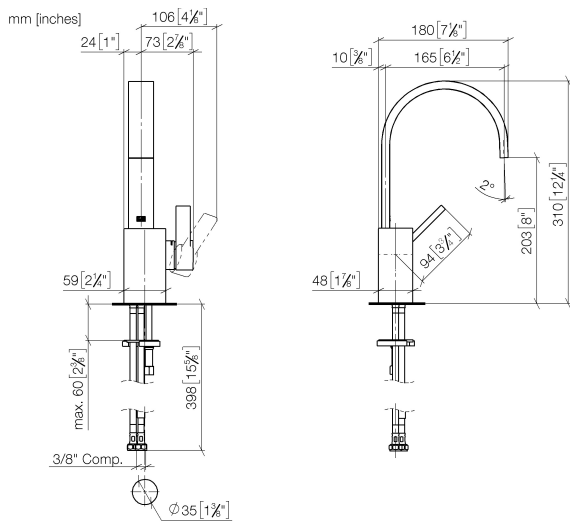
	Chrome	33 521 782-00 0010
	Brushed Platinum	33 521 782-06 0010
	Platinum	33 521 782-08 0010
	Dark Chrome	33 521 782-19 0010
	Brushed Durabronze (23kt Gold)	33 521 782-28 0010
	Brushed Champagne (22kt Gold)	33 521 782-46 0010
	Champagne (22kt Gold)	33 521 782-47 0010
	Brushed Dark Platinum	33 521 782-99 0010



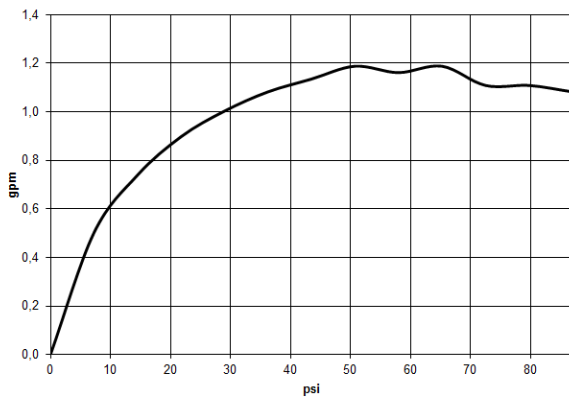
MEM Single-lever basin mixer without pop-up waste - Chrome

MEM

33 521 782



Flow rate chart



Codes & Standards

ADA

ASME
A112.18.1/CSA
B125.1

California Energy
Commission
(CEC)

NSF/ANSI 372

NSF/ANSI/CAN
61



MEM Single-lever basin mixer without pop-up waste - Chrome

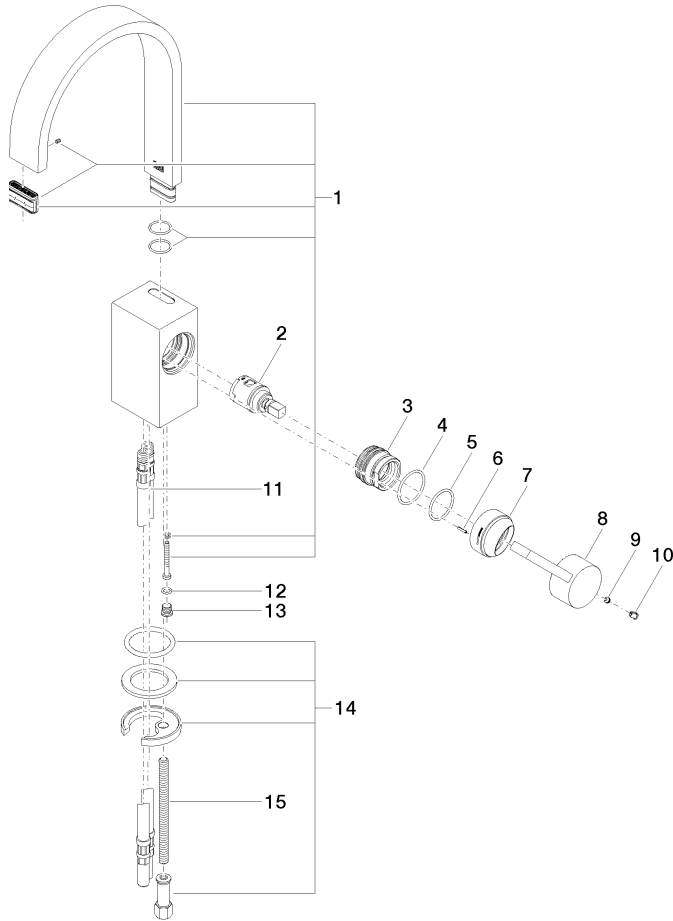
MEM

33 521 782

Certificates

IAPMO_N-4976 (2). IAPMO_6397 (1).

33 521 782



Spare parts list

No.	Item Number	Name	Quantity used	Delivery time
1	90 28 22 153 02-00	spout	1	10
2	90 15 05 042 00 90	cartridge	1	2
3	09 24 04 288 90	nut	1	2
4	09 14 10 137 90	seal	1	2
5	90 14 10 063 00 90	seal	1	2
6	09 31 11 152 90	pin	1	2
7	09 28 30 028-00	cover	1	10
8	09 20 78 057-00	handle	1	10
9	90 31 11 063 00 90	pin	1	2
10	09 31 20 017 90	plug	1	2
11	04 30 04 045 00 90	hose	2	60
12	09 14 10 132 90	seal	1	2
13	09 31 20 027 10-00	plug	1	10
14	04 30 11 038 75 90	fixing set	1	2
15	09 31 11 012 90	pin	1	2