

CYO Single-lever basin mixer without pop-up waste - Brushed Durabronz (23kt Gold)

CYO

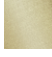
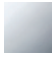



33 521 811



- 143mm projection
- fixed spout
- rectangular, air-enriched flow
- height of mixer 180 mm
- height up to aerator 128 mm
- hole diameter 35 mm
- max. flow 4.5 l/min
- 2 x pressure hose with 3/8" cap nut
- lead-free
- This product can help a building meet the requirements of Green Building Rating Systems, e.g. LEED®, BREEAM®, DGNB

Only suitable for basins with an overflow.

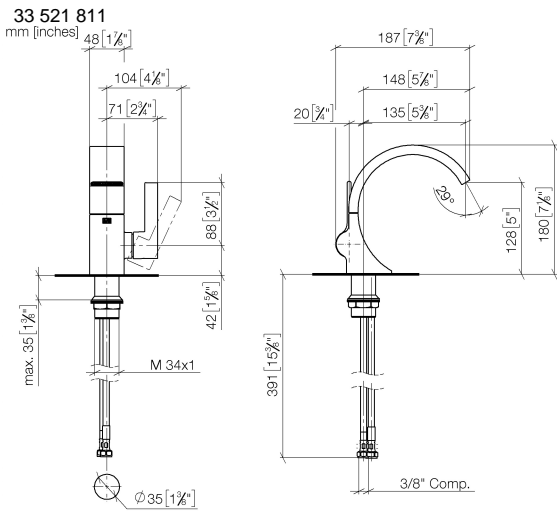
Distance from centre of tap hole to wall min. 55 mm
or to front edge of basin min. 40 mm.

	Brushed Durabronz (23kt Gold)	33 521 811-28 0010
	Chrome	33 521 811-00 0010
	Brushed Platinum	33 521 811-06 0010
	Dark Chrome	33 521 811-19 0010
	Brushed Dark Platinum	33 521 811-99 0010

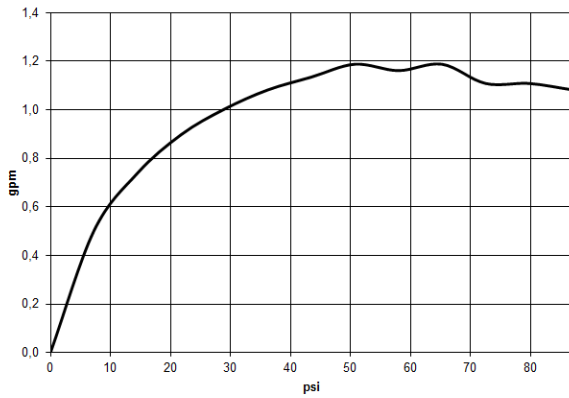


CYO Single-lever basin mixer without pop-up waste - Brushed Durabronz (23kt Gold)

CYO



Flow rate chart



Codes & Standards

California Energy
Commission
(CEC)



CYO Single-lever basin mixer without pop-up waste - Brushed Durabronz (23kt Gold)

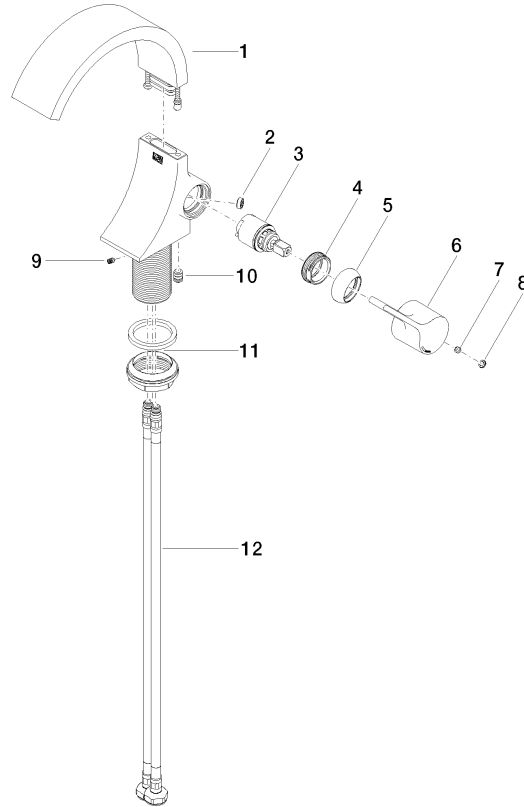
CYO

33 521 811

Certificates

IAPMO_N-4976 (1). IAPMO_6397 (1).

33 521 811



Spare parts list

No.	Item Number	Name	Quantity used	Delivery time
1	90 11 70 012 01-28	spout	1	20
2	09 23 01 172 90	flow reducer	1	2
3	90 15 05 044 00 90	cartridge	1	2
4	09 24 04 266 90	nut	1	2
5	09 28 30 021-28	cover	1	20
6	09 20 80 024-28	handle	1	20
7	90 31 11 030 00 90	pin	1	2
8	90 31 20 087 00-28	plug	1	20
9	09 31 11 008 90	pin	1	2
10	90 31 20 129 00 90	plug	1	2
11	04 23 10 044 07 90	fixing set	1	2
12	04 30 04 102 00 90	High pressure hose 3/8" -	2	2