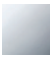


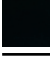

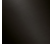


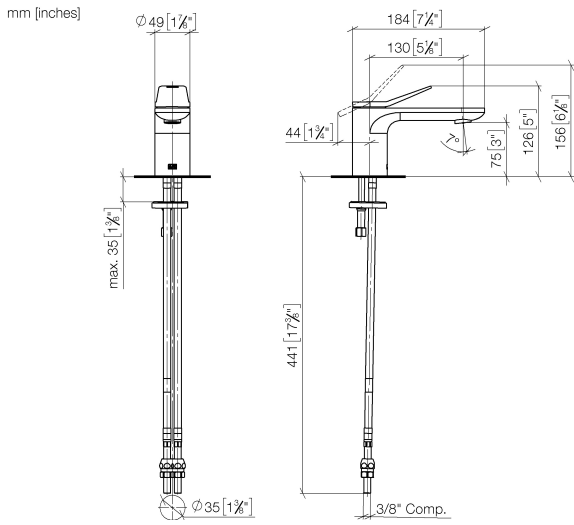
33 521 845



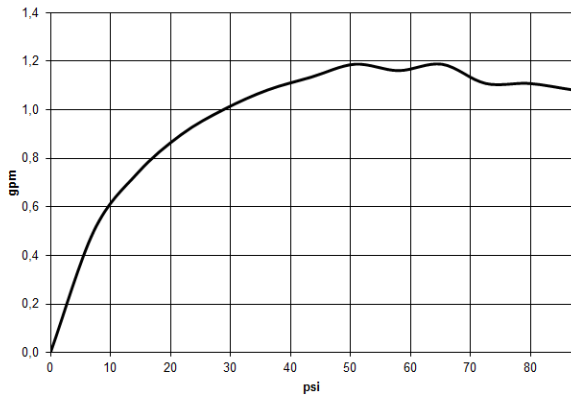
- 130mm projection
- fixed spout
- circular, air-enriched flow
- height of mixer 127 mm
- height up to aerator 75 mm
- hole diameter 35 mm
- 2 x pressure hose with 3/8" cap nut
- max. flow 4.5 l/min
- lead-free
- This product can help a building meet the requirements of Green Building Rating Systems, e.g. LEED®, BREEAM®, DGNB

	Chrome	33 521 845-00 0010
	Brushed Platinum	33 521 845-06 0010
	Dark Chrome	33 521 845-19 0010
	Matte Black	33 521 845-33 0010
	Brushed Chrome	33 521 845-93 0010
	Brushed Dark Platinum	33 521 845-99 0010

33 521 845



**Flow rate chart**



**Codes & Standards**

ADA

ASME  
A112.18.1/CSA  
B125.1

California Energy  
Commission  
(CEC)

NSF/ANSI 372

NSF/ANSI/CAN  
61

Water Sense





## LISSÉ Single-lever basin mixer without pop-up waste - Chrome

---

LISSÉ

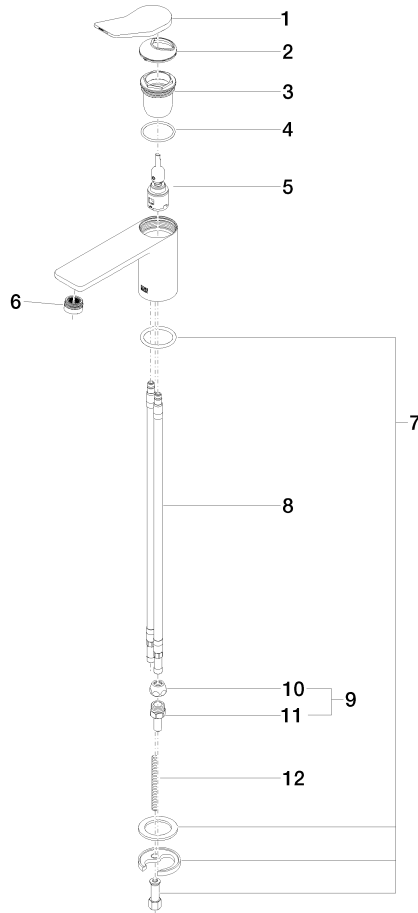
33 521 845

### Certificates

---

IAPMO\_8834 (2). IAPMO\_N-4976 (1). IAPMO\_4976 (3). IAPMO\_6397 (1).

33 521 845



### Spare parts list

No.	Item Number	Name	Quantity used	Delivery time
1	90 20 84 020 00-00	handle	1	10
2	09 28 30 034 90	cover	1	2
3	09 23 10 123 90	nut	1	2
4	09 14 10 038 90	seal	1	2
5	90 15 05 042 01 90	cartridge	1	2
6	90 23 01 161 03-00	aerator	1	10
7	04 30 11 038 75 90	fixing set	1	2
8	04 30 04 018 00 90	hose	2	60
9	04 24 04 222 00-00	adaptor	1	10
10	04 23 30 031 01-07	threaded connector	2	60
11	09 24 04 222 10-00	adaptor	2	10
12	09 31 11 011 90	pin	1	2