

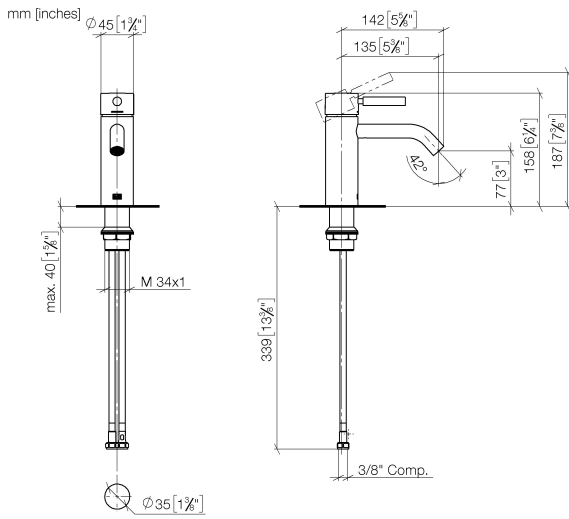
33 522 660



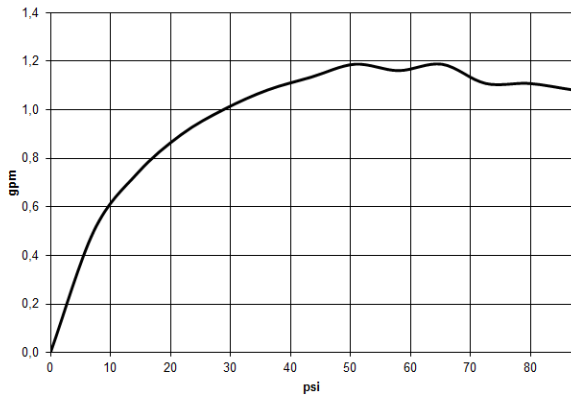
- 135mm projection
- fixed spout
- circular, air-enriched flow
- height of mixer 158 mm
- height up to aerator 77 mm
- hole diameter 35 mm
- 2 x pressure hose with 3/8" cap nut
- max. flow 4.5 l/min
- lead-free
- This product can help a building meet the requirements of Green Building Rating Systems, e.g. LEED®, BREEAM®, DGNB

|   |                               |                    |
|---|-------------------------------|--------------------|
|    | Brushed Chrome                | 33 522 660-93 0010 |
|    | Chrome                        | 33 522 660-00 0010 |
|    | Brushed Platinum              | 33 522 660-06 0010 |
|    | Dark Chrome                   | 33 522 660-19 0010 |
|    | Light Gold                    | 33 522 660-26 0010 |
|    | Brushed Light Gold            | 33 522 660-27 0010 |
|    | Matte Black                   | 33 522 660-33 0010 |
|    | Brushed Bronze                | 33 522 660-42 0010 |
|    | Brushed Champagne (22kt Gold) | 33 522 660-46 0010 |
|   | Champagne (22kt Gold)         | 33 522 660-47 0010 |
|  | Brushed Dark Platinum         | 33 522 660-99 0010 |

33 522 660



**Flow rate chart**



**Codes & Standards**

ADA

ASME  
A112.18.1/CSA  
B125.1

California Energy  
Commission  
(CEC)

NSF/ANSI 372

NSF/ANSI/CAN  
61

Water Sense





## META Single-lever basin mixer without pop-up waste - Brushed Chrome

---

META

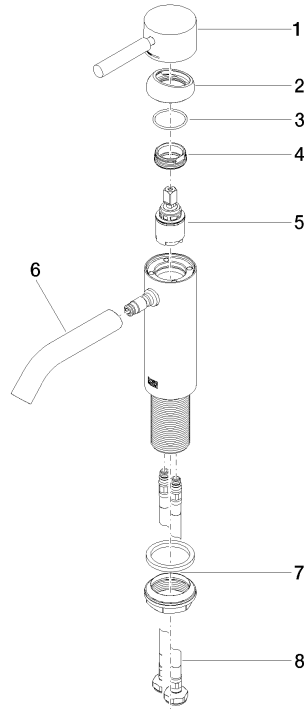
33 522 660

### Certificates

---

IAPMO\_8834 (1). IAPMO\_4976 (2). IAPMO\_N-4976 (1). IAPMO\_6397 (1).

33 522 660



**Spare parts list**

| No.  | Item Number        | Name                      | Quantity used | Delivery time |
|--|--------------------|---------------------------|---------------|---------------|
| 1  | 90 20 66 002 00-93 | handle                    | 1             | 20            |
| 2  | 09 28 30 041-93    | cover                     | 1             | 20            |
| 3  | 09 14 10 091 90    | seal                      | 1             | 2             |
| 4  | 09 24 04 266 90    | nut                       | 1             | 2             |
| 5  | 90 15 05 044 00 90 | cartridge                 | 1             | 2             |
| 6  | 90 11 06 207 01-93 | spout                     | 1             | -             |
| Spare part can no longer be ordered, please order the replacement item |                    |                           |               |               |
| 7  | 04 23 10 044 07 90 | fixing set                | 1             | 2             |
| 8  | 04 30 04 102 00 90 | High pressure hose 3/8" - | 2             | 2             |