

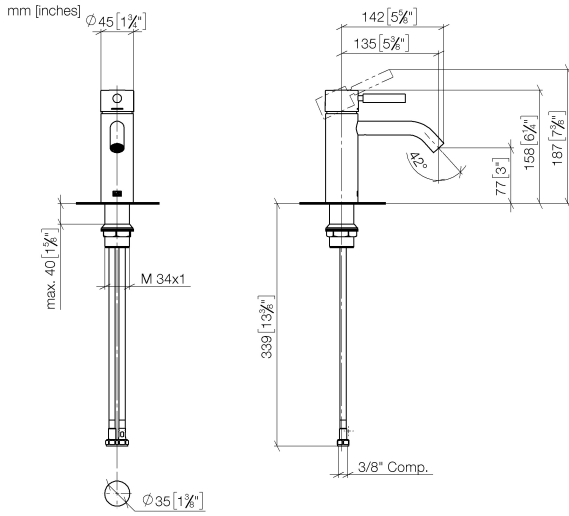
33 522 660



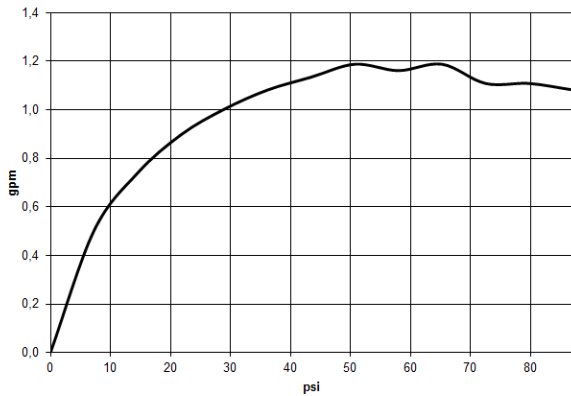
- 135mm projection
- fixed spout
- circular, air-enriched flow
- height of mixer 158 mm
- height up to aerator 77 mm
- hole diameter 35 mm
- 2 x pressure hose with 3/8" cap nut
- max. flow 4.5 l/min
- lead-free
- This product can help a building meet the requirements of Green Building Rating Systems, e.g. LEED®, BREEAM®, DGNB

	Brushed Dark Platinum	33 522 660-99 0010
	Chrome	33 522 660-00 0010
	Brushed Platinum	33 522 660-06 0010
	Dark Chrome	33 522 660-19 0010
	Light Gold	33 522 660-26 0010
	Brushed Light Gold	33 522 660-27 0010
	Matte Black	33 522 660-33 0010
	Brushed Bronze	33 522 660-42 0010
	Brushed Champagne (22kt Gold)	33 522 660-46 0010
	Champagne (22kt Gold)	33 522 660-47 0010
	Brushed Chrome	33 522 660-93 0010

33 522 660



Flow rate chart



Codes & Standards

ADA

ASME
A112.18.1/CSA
B125.1

California Energy
Commission
(CEC)

NSF/ANSI 372

NSF/ANSI/CAN
61

Water Sense





META Single-lever basin mixer without pop-up waste - Brushed Dark Platinum

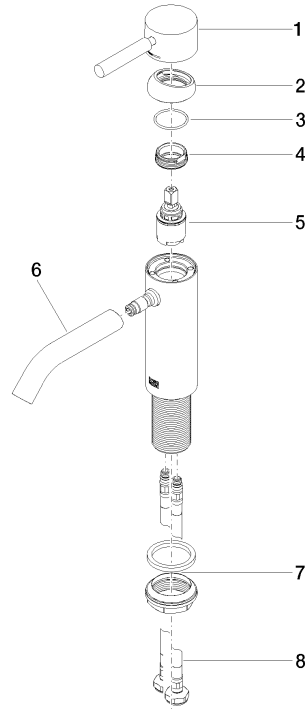
META

33 522 660

Certificates

IAPMO_8834 (1). IAPMO_N-4976 (1). IAPMO_6397 (1).

33 522 660



Spare parts list

No.	Item Number	Name	Quantity used	Delivery time
1	90 20 66 002 00-99	handle	1	30
2	09 28 30 041-99	cover	1	30
3	09 14 10 091 90	seal	1	2
4	09 24 04 266 90	nut	1	2
5	90 15 05 044 00 90	cartridge	1	2
6	90 11 06 207 01-99	spout	1	30
7	04 23 10 044 07 90	fixing set	1	2
8	04 30 04 102 00 90	High pressure hose 3/8" -	2	2