

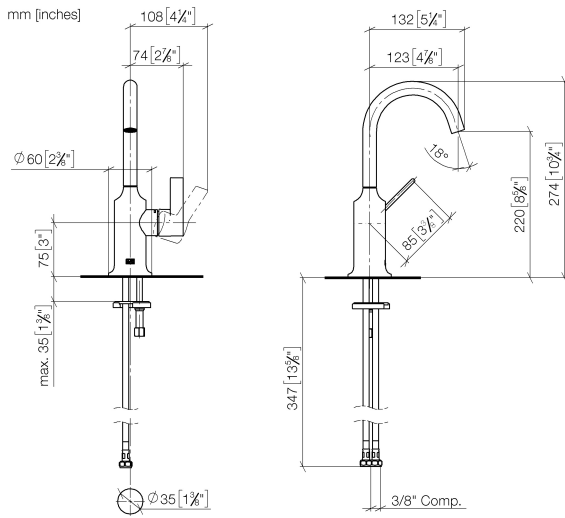
33 525 809



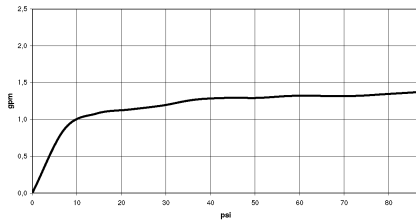
- 123mm projection
- pivotable spout 360°
- circular, air-enriched flow
- height of mixer 274 mm
- height up to aerator 220 mm
- hole diameter 35 mm
- 2 x pressure hose with 3/8" cap nut
- max. flow 4.5 l/min
- lead-free
- This product can help a building meet the requirements of Green Building Rating Systems, e.g. LEED®, BREEAM®, DGNB

	Chrome	33 525 809-00 0010
	Brushed Platinum	33 525 809-06 0010
	Platinum	33 525 809-08 0010
	Dark Chrome	33 525 809-19 0010
	Brushed Durabronze (23kt Gold)	33 525 809-28 0010
	Brushed Bronze	33 525 809-42 0010
	Brushed Champagne (22kt Gold)	33 525 809-46 0010
	Champagne (22kt Gold)	33 525 809-47 0010
	Brushed Dark Platinum	33 525 809-99 0010

33 525 809



Flow rate chart



Codes & Standards

ADA

ASME  
A112.18.1/CSA  
B125.1

California Energy  
Commission  
(CEC)

NSF/ANSI 372

NSF/ANSI/CAN  
61

Water Sense





## VAIA Single-lever basin mixer without pop-up waste - Chrome

---

VAIA

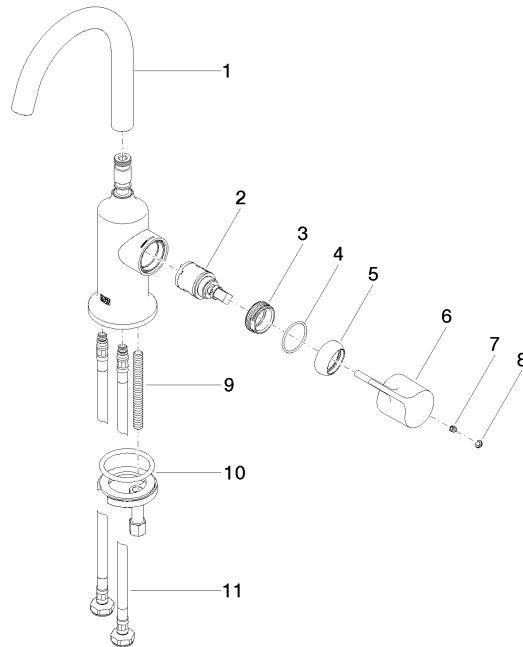
33 525 809

### Certificates

---

IAPMO\_8834 (1). IAPMO\_N-4976 (1). IAPMO\_6397 (1). IAPMO\_4976 (4).

33 525 809



### Spare parts list

No.	Item Number	Name	Quantity used	Delivery time
1	90 28 22 312 01-00	spout	1	10
2	90 15 05 042 00 90	cartridge	1	2
3	09 24 04 266 90	nut	1	2
4	09 14 10 091 90	seal	1	2
5	09 28 30 021-00	cover	1	10
6	09 20 80 020-00	handle	1	10
7	90 31 11 030 00 90	pin	1	2
8	90 31 20 087 00-00	plug	1	10
9	09 31 11 011 90	pin	1	2
10	04 30 11 038 00 90	fixing set	1	2
11	04 30 04 102 00 90	High pressure hose 3/8" -	2	2