




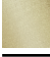

33 525 811



- 177mm projection
- fixed spout
- rectangular, air-enriched flow
- height of mixer 198 mm
- height up to aerator 133 mm
- hole diameter 35 mm
- max. flow 4.5 l/min
- 2 x pressure hose with 3/8" cap nut
- lead-free
- This product can help a building meet the requirements of Green Building Rating Systems, e.g. LEED®, BREEAM®, DGNB

Only suitable for basins with an overflow.

Distance from centre of tap hole to wall min. 55 mm
or to front edge of basin min. 40 mm.

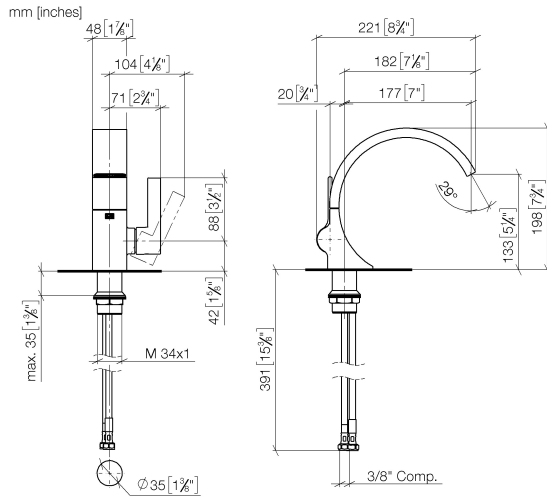
	Chrome	33 525 811-00 0010
	Brushed Platinum	33 525 811-06 0010
	Dark Chrome	33 525 811-19 0010
	Brushed Durabronze (23kt Gold)	33 525 811-28 0010
	Brushed Dark Platinum	33 525 811-99 0010



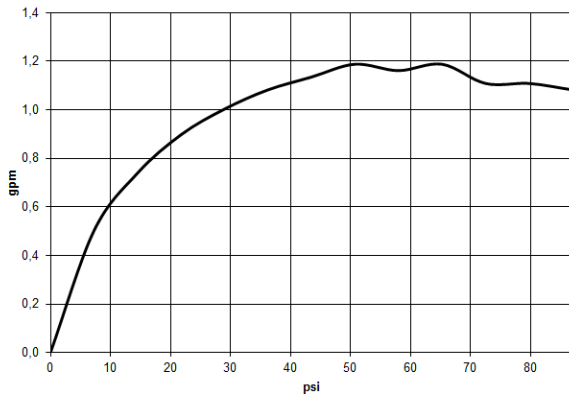
CYO Single-lever basin mixer without pop-up waste - Chrome

CYO

33 525 811



Flow rate chart



Codes & Standards

California Energy
Commission
(CEC)

Water Sense





CYO Single-lever basin mixer without pop-up waste - Chrome

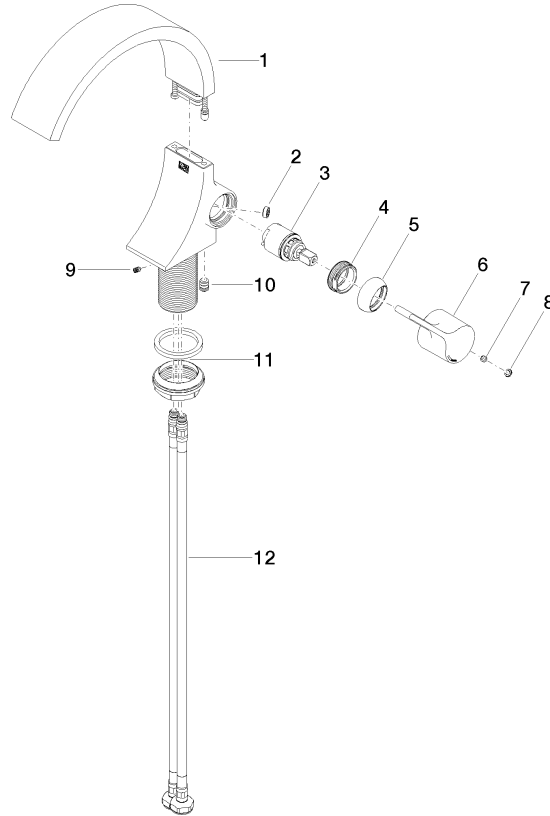
CYO

33 525 811

Certificates

IAPMO_8834 (2). IAPMO_4976 (6). IAPMO_N-4976 (1). IAPMO_6397 (1).

33 525 811



Spare parts list

No.	Item Number	Name	Quantity used	Delivery time
1	90 11 70 013 01-00	spout	1	10
2	09 23 01 172 90	flow reducer	1	2
3	90 15 05 044 00 90	cartridge	1	2
4	09 24 04 266 90	nut	1	2
5	09 28 30 021-00	cover	1	10
6	09 20 80 024-00	handle	1	10
7	90 31 11 030 00 90	pin	1	2
8	90 31 20 087 00-00	plug	1	10
9	04 23 10 044 07 90	fixing set	1	2
10	04 30 04 102 00 90	High pressure hose 3/8" -	2	2