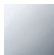




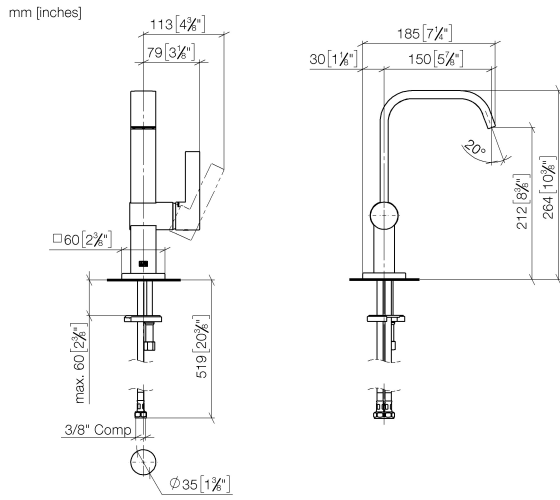
33 526 670



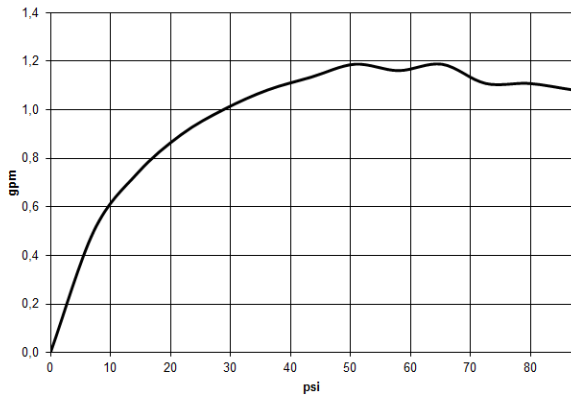
- 150mm projection
- fixed spout
- rectangular, air-enriched flow
- height of mixer 265 mm
- height up to aerator 212 mm
- hole diameter 35 mm
- rosette 60 x 60 mm
- 2 x pressure hose with 3/8" cap nut
- max. flow 4.5 l/min
- lead-free
- This product can help a building meet the requirements of Green Building Rating Systems, e.g. LEED®, BREEAM®, DGNB

	Chrome	33 526 670-00 0010
	Brushed Platinum	33 526 670-06 0010
	Brushed Chrome	33 526 670-93 0010

33 526 670



Flow rate chart



Codes & Standards

ADA

ASME
A112.18.1/CSA
B125.1

California Energy
Commission
(CEC)

NSF/ANSI 372

NSF/ANSI/CAN
61

Water Sense





IMO Single-lever basin mixer with high spout without pop-up waste - Chrome

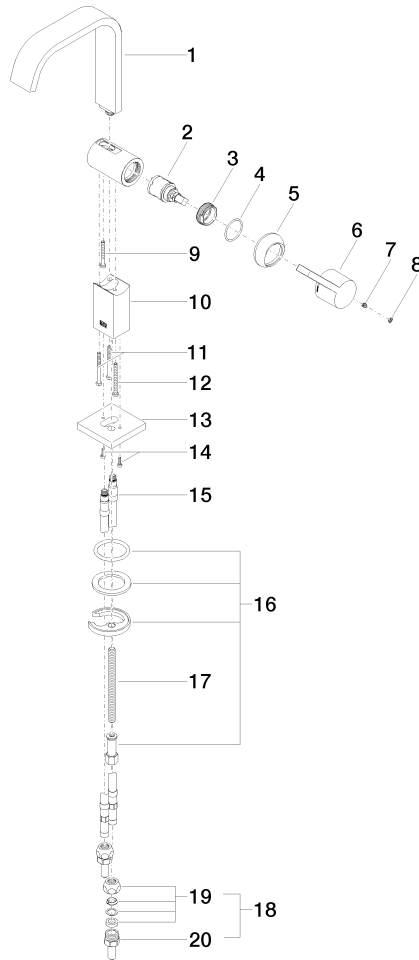
IMO

33 526 670

Certificates

IAPMO_8834 (1). IAPMO_N-4976 (1). IAPMO_4976 (3). IAPMO_6397 (1).

33 526 670



Spare parts list

No.	Item Number	Name	Quantity used	Delivery time
1	90 28 22 266 01-00	spout	1	10
2	90 15 05 042 00 90	cartridge	1	2
3	09 24 04 266 90	nut	1	2
4	09 14 10 120 90	seal	1	2
5	09 28 30 019-00	cover	1	10
6	09 20 67 010-00	handle	1	10
7	90 31 11 030 00 90	pin	1	2
8	90 31 20 087 00-00	plug	1	10
9	09 30 30 097 90	screw	1	2
10	09 19 67 001-00	casing	1	10
11	09 30 30 086 90	screw	2	2
12	09 30 30 092 90	screw	1	2
13	09 27 67 013-00	rosette	1	10
14	09 30 30 167 90	screw	2	2
15	04 30 04 098 00 90	hose	2	60
16	04 30 11 038 75 90	fixing set	1	2
17	09 31 11 012 90	pin	1	2
18	04 24 04 222 00-00	adaptor	2	10
19	04 23 30 031 01-07	threaded connector	2	60
20	09 24 04 222 10-00	adaptor	2	10