




33 527 670

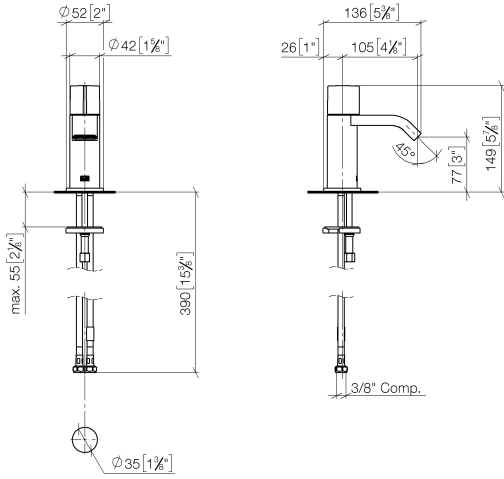


- 105mm projection
- fixed spout
- rectangular, air-enriched flow
- height of mixer 149 mm
- height up to aerator 80 mm
- hole diameter 35 mm
- progressive cartridge
- 2 x pressure hose with 3/8" cap nut
- max. flow 4.5 l/min
- lead-free
- This product can help a building meet the requirements of Green Building Rating Systems, e.g. LEED®, BREEAM®, DGNB

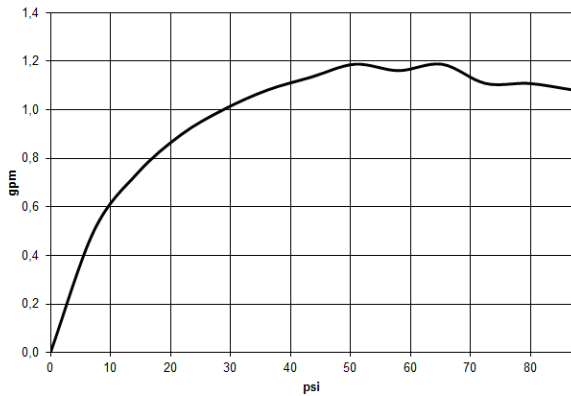
	Chrome	33 527 670-00 0010
	Brushed Platinum	33 527 670-06 0010
	Brushed Chrome	33 527 670-93 0010

33 527 670

mm [inches]



Flow rate chart



Codes & Standards

ASME  
A112.18.1/CSA  
B125.1

California Energy  
Commission  
(CEC)

NSF/ANSI 372

NSF/ANSI/CAN  
61

Water Sense





## IMO Single-lever basin mixer without pop-up waste - Chrome

---

IMO

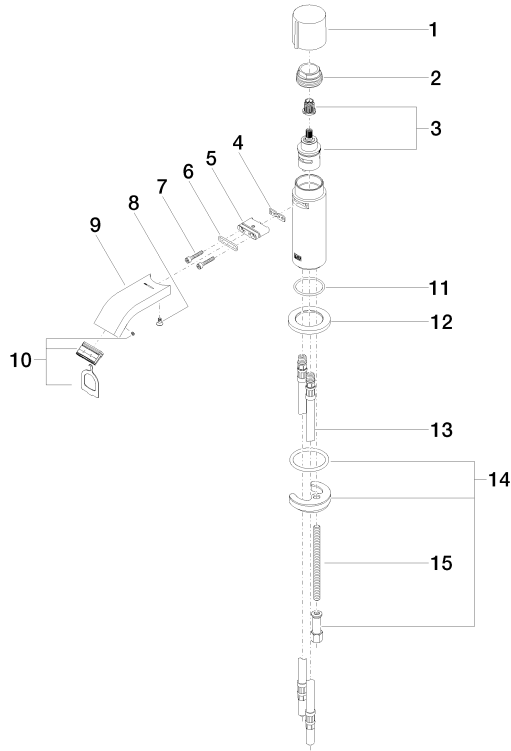
33 527 670

### Certificates

---

IAPMO\_8834 (1).    IAPMO\_4976 (2).    IAPMO\_N-4976 (1).    IAPMO\_6397 (1).

33 527 670



### Spare parts list

No.	Item Number	Name	Quantity used	Delivery time
1	09 20 67 001-00	handle	1	10
2	09 23 10 065-00	nut	1	10
3	90 90 03 162 00 90	top	1	2
4	09 14 03 131 90	seal	1	2
5	09 11 03 061 90	connection	1	2
6	09 14 10 053 90	seal	1	2
7	09 30 30 182 90	screw	2	2
8	09 30 30 116 90	screw	1	2
9	09 28 22 238-00	spout	1	10
10	90 29 03 118 00 90	aerator	1	2
11	09 14 10 104 90	seal	1	2
12	09 27 67 003-00	rosette	1	10
13	04 30 04 045 00 90	hose	2	60
14	04 30 11 038 00 90	fixing set	1	2
15	09 31 11 012 90	pin	1	2