

**META Single-lever basin mixer with raised base without pop-up waste -
Chrome**

META

33 534 661



- 201mm projection
- pivotable spout 360°
- circular, air-enriched flow
- height of mixer 397 mm
- height up to aerator 299 mm
- hole diameter 35 mm
- 2 x pressure hose with 3/8" cap nut
- max. flow 4.5 l/min
- lead-free
- This product can help a building meet the requirements of Green Building Rating Systems, e.g. LEED®, BREEAM®, DGNB

for use on countertop bowls

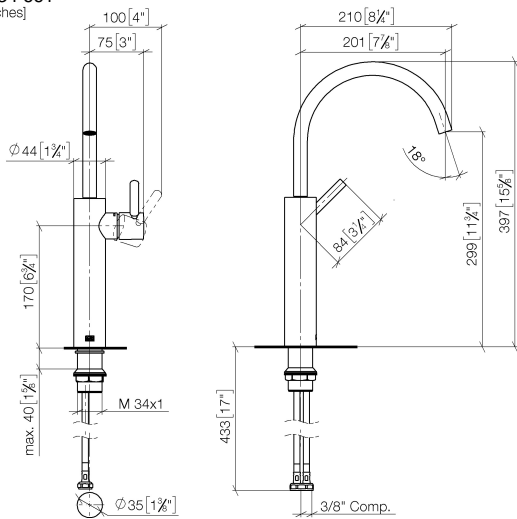
	Chrome	33 534 661-00 0010
	Brushed Platinum	33 534 661-06 0010
	Dark Chrome	33 534 661-19 0010
	Light Gold	33 534 661-26 0010
	Brushed Light Gold	33 534 661-27 0010
	Matte Black	33 534 661-33 0010
	Brushed Bronze	33 534 661-42 0010
	Brushed Champagne (22kt Gold)	33 534 661-46 0010
	Champagne (22kt Gold)	33 534 661-47 0010
	Brushed Chrome	33 534 661-93 0010
	Brushed Dark Platinum	33 534 661-99 0010



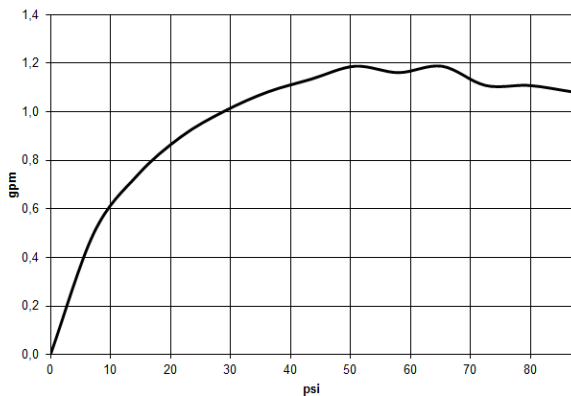
META Single-lever basin mixer with raised base without pop-up waste - Chrome

META

33 534 661
mm [inches]



Flow rate chart



Codes & Standards

ADA

ASME
A112.18.1/CSA
B125.1

California Energy
Commission
(CEC)

NSF/ANSI 372

NSF/ANSI/CAN
61

Water Sense





META Single-lever basin mixer with raised base without pop-up waste -
Chrome

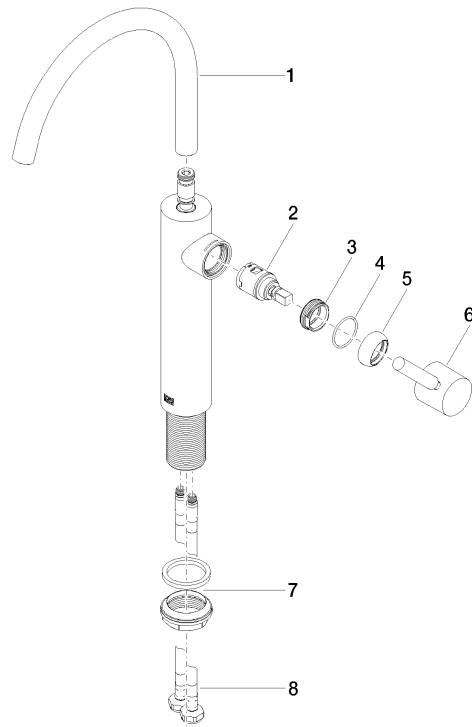
META

33 534 661

Certificates

IAPMO_8834 (2). IAPMO_4976 (1). IAPMO_N-4976 (1). IAPMO_6397 (1).

33 534 661



Spare parts list

No.	Item Number	Name	Quantity used	Delivery time
1	90 28 22 313 01-00	spout	1	10
2	90 15 05 042 00 90	cartridge	1	2
3	09 24 04 266 90	nut	1	2
4	09 14 10 091 90	seal	1	2
5	09 28 30 021-00	cover	1	10
6	90 20 66 003 00-00	handle	1	10
7	04 23 10 044 07 90	fixing set	1	2
8	04 30 04 103 00 90	hose	2	2