

**META Single-lever basin mixer with raised base without pop-up waste -  
Chrome**

META

33 539 660



- 165mm projection
- fixed spout
- circular, air-enriched flow
- height of mixer 300 mm
- height up to aerator 219 mm
- hole diameter 35 mm
- 2 x pressure hose with 3/8" cap nut
- max. flow 4.5 l/min
- lead-free
- This product can help a building meet the requirements of Green Building Rating Systems, e.g. LEED®, BREEAM®, DGNB

for use on countertop bowls

	Chrome	33 539 660-00 0010
	Brushed Platinum	33 539 660-06 0010
	Dark Chrome	33 539 660-19 0010
	Light Gold	33 539 660-26 0010
	Brushed Light Gold	33 539 660-27 0010
	Matte Black	33 539 660-33 0010
	Brushed Bronze	33 539 660-42 0010
	Brushed Champagne (22kt Gold)	33 539 660-46 0010
	Champagne (22kt Gold)	33 539 660-47 0010
	Brushed Chrome	33 539 660-93 0010
	Brushed Dark Platinum	33 539 660-99 0010

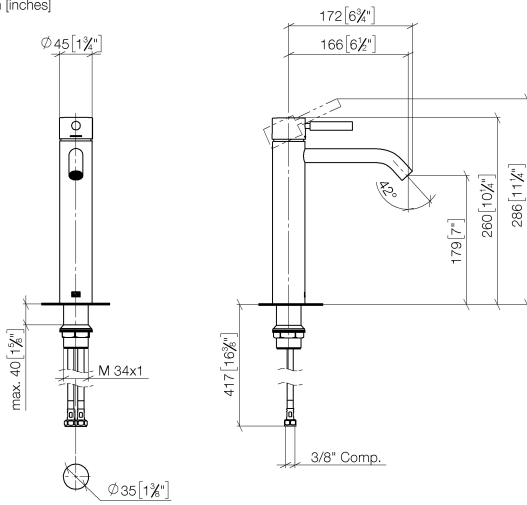


# META Single-lever basin mixer with raised base without pop-up waste - Chrome

META

33 539 660

mm [inches]



## Flow rate chart



## Codes & Standards

ADA

ASME  
A112.18.1/CSA  
B125.1

California Energy  
Commission  
(CEC)

NSF/ANSI 372

NSF/ANSI/CAN  
61

Water Sense





META Single-lever basin mixer with raised base without pop-up waste -  
Chrome

---

META

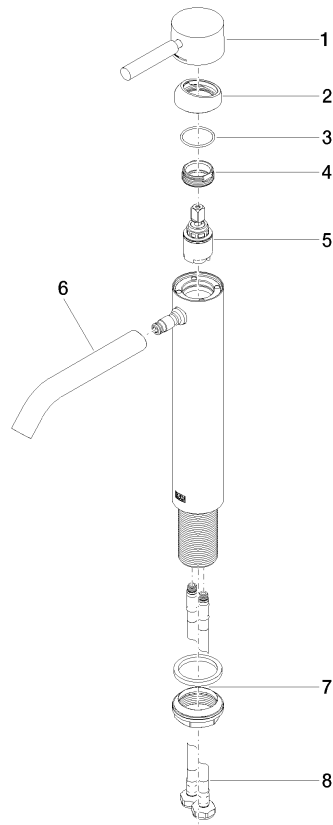
33 539 660

Certificates

---

IAPMO\_4976 (1). IAPMO\_8834 (1). IAPMO\_N-4976 (1). IAPMO\_6397 (1).

33 539 660



**Spare parts list**

No.	Item Number	Name	Quantity used	Delivery time
1	90 20 66 002 00-00	handle	1	10
2	09 28 30 041-00	cover	1	10
3	09 14 10 091 90	seal	1	2
4	09 24 04 266 90	nut	1	2
5	90 15 05 044 00 90	cartridge	1	2
6	90 11 06 208 01-00	spout	1	10
7	04 23 10 044 07 90	fixing set	1	2
8	04 30 04 103 00 90	hose	2	2