

**META META SLIM Single-lever basin mixer with raised base without pop-up waste - Chrome**

META

33 539 662



- 165mm projection
  - fixed spout
  - circular, air-enriched flow
  - height of mixer 300 mm
  - height up to aerator 219 mm
  - hole diameter 35 mm
  - 2 x pressure hose with 3/8" cap nut
  - max. flow 4.5 l/min
  - lead-free
  - This product can help a building meet the requirements of Green Building Rating Systems, e.g. LEED®, BREEAM®, DGNB
- for use on countertop bowls

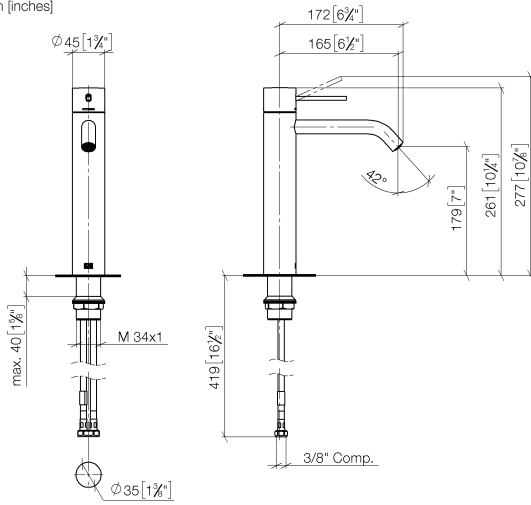
	Chrome	33 539 662-00 0010
	Brushed Platinum	33 539 662-06 0010
	Dark Chrome	33 539 662-19 0010
	Light Gold	33 539 662-26 0010
	Brushed Light Gold	33 539 662-27 0010
	Matte Black	33 539 662-33 0010
	Brushed Bronze	33 539 662-42 0010
	Brushed Champagne (22kt Gold)	33 539 662-46 0010
	Champagne (22kt Gold)	33 539 662-47 0010
	Brushed Chrome	33 539 662-93 0010
	Brushed Dark Platinum	33 539 662-99 0010



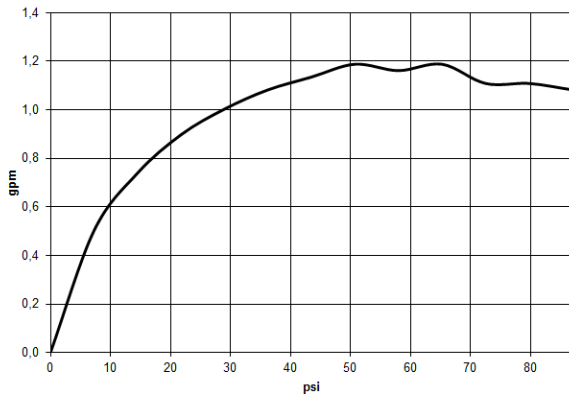
# META META SLIM Single-lever basin mixer with raised base without pop-up waste - Chrome

META

33 539 662  
mm [inches]



## Flow rate chart



## Codes & Standards

ADA

ASME  
A112.18.1/CSA  
B125.1

California Energy  
Commission  
(CEC)

NSF/ANSI 372

NSF/ANSI/CAN  
61

Water Sense





META META SLIM Single-lever basin mixer with raised base without pop-up waste - Chrome

META

---

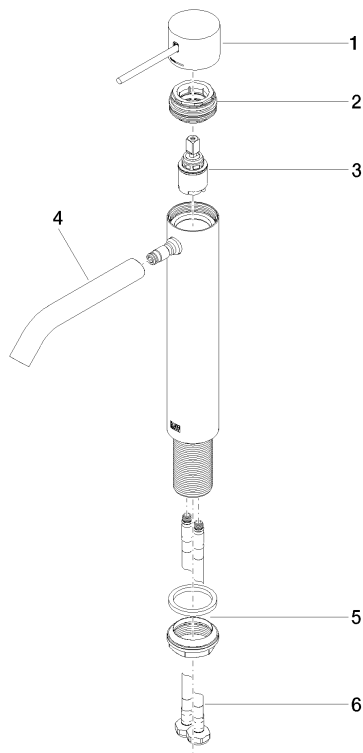
33 539 662

Certificates

---

IAPMO\_8834 (2). IAPMO\_4976 (1). IAPMO\_N-4976 (1). IAPMO\_6397 (1).

33 539 662



### Spare parts list

No.	Item Number	Name	Quantity used	Delivery time
1	90 20 66 020 00-00	handle	1	10
2	90 24 04 536 00 90	threaded connector	1	60
3	90 15 05 044 00 90	cartridge	1	2
4	90 11 06 208 01-00	spout	1	10
5	04 23 10 044 07 90	fixing set	1	2
6	04 30 04 103 00 90	hose	1	2