

33 560 661

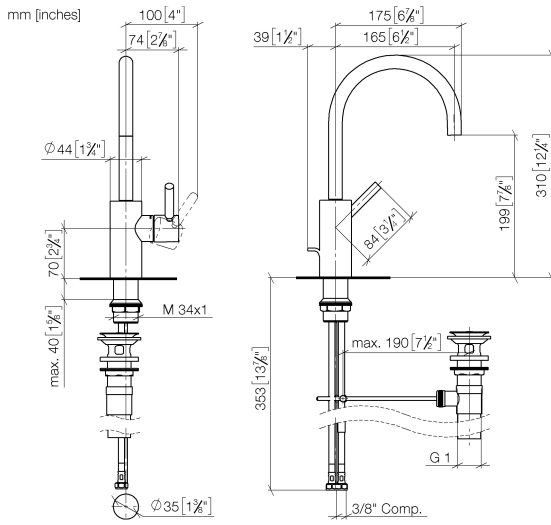


- 180° spout
- 165mm projection
- 1 1/4" pop-up waste
- pivotable spout 360°
- circular, air-enriched flow
- height of mixer 310 mm
- height up to aerator 199 mm
- hole diameter 35 mm
- 2 x pressure hose with 3/8" cap nut
- max. flow 4.5 l/min
- lead-free
- This product can help a building meet the requirements of Green Building Rating Systems, e.g. LEED®, BREEAM®, DGNB

for use on countertop bowls

| | | |
|-------------------------------------------------------------------------------------|-------------------------------|--------------------|
|  | Chrome | 33 560 661-00 0010 |
|  | Brushed Platinum | 33 560 661-06 0010 |
|  | Dark Chrome | 33 560 661-19 0010 |
|  | Light Gold | 33 560 661-26 0010 |
|  | Brushed Light Gold | 33 560 661-27 0010 |
|  | Matte Black | 33 560 661-33 0010 |
|  | Brushed Bronze | 33 560 661-42 0010 |
|  | Brushed Champagne (22kt Gold) | 33 560 661-46 0010 |
|  | Champagne (22kt Gold) | 33 560 661-47 0010 |
|  | Brushed Chrome | 33 560 661-93 0010 |
|  | Brushed Dark Platinum | 33 560 661-99 0010 |

33 560 661



Codes & Standards

ADA

ASME
A112.18.1/CSA
B125.1

California Energy
Commission
(CEC)

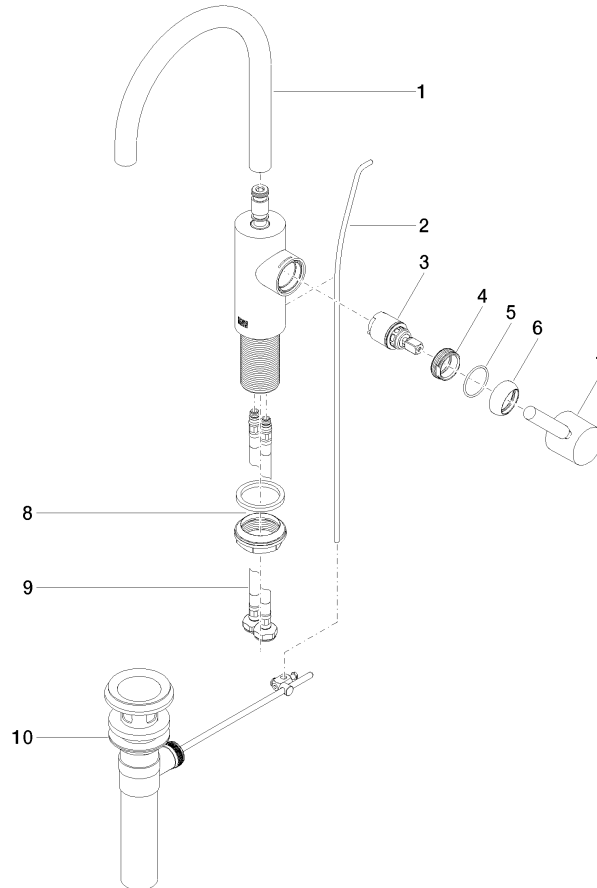
NSF/ANSI 372

NSF/ANSI/CAN
61

Certificates

IAPMO_N-4976 (2). IAPMO_6397 (1).

33 560 661



Spare parts list

| No. | Item Number | Name | Quantity used | Delivery time |
|-----|--------------------|--------------|---------------|---------------|
| 1 | 90 28 22 350 01-00 | spout | 1 | 10 |
| 2 | 09 31 09 110-00 | pull-rod | 1 | 10 |
| 3 | 90 15 05 044 00 90 | cartridge | 1 | 2 |
| 4 | 09 24 04 266 90 | nut | 1 | 2 |
| 5 | 09 14 10 091 90 | seal | 1 | 2 |
| 6 | 09 28 30 021-00 | cover | 1 | 10 |
| 7 | 90 20 66 003 00-00 | handle | 1 | 10 |
| 8 | 04 23 10 044 07 90 | fixing set | 1 | 2 |
| 9 | 04 30 04 100 00 90 | hose | 2 | 2 |
| 10 | 90 11 01 023 00-00 | pop-up waste | 1 | 10 |