

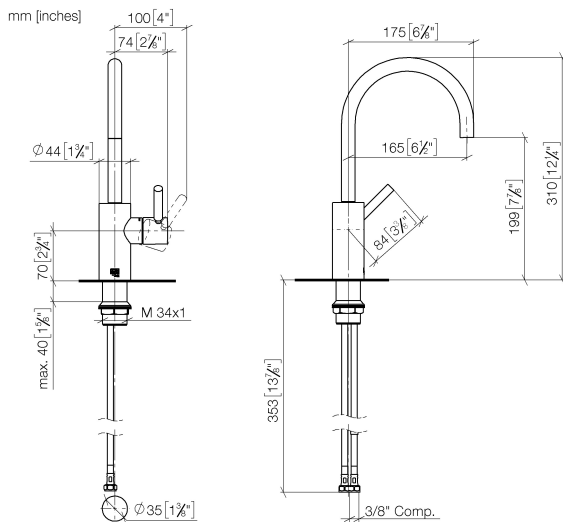
33 565 661



- 180° spout
- 165mm projection
- pivotable spout 360°
- circular, air-enriched flow
- height of mixer 310 mm
- height up to aerator 199 mm
- hole diameter 35 mm
- 2 x pressure hose with 3/8" cap nut
- max. flow 4.5 l/min
- lead-free
- This product can help a building meet the requirements of Green Building Rating Systems, e.g. LEED®, BREEAM®, DGNB

	Chrome	33 565 661-00 0010
	Brushed Platinum	33 565 661-06 0010
	Dark Chrome	33 565 661-19 0010
	Light Gold	33 565 661-26 0010
	Brushed Light Gold	33 565 661-27 0010
	Matte Black	33 565 661-33 0010
	Brushed Bronze	33 565 661-42 0010
	Brushed Champagne (22kt Gold)	33 565 661-46 0010
	Champagne (22kt Gold)	33 565 661-47 0010
	Brushed Chrome	33 565 661-93 0010
	Brushed Dark Platinum	33 565 661-99 0010

33 565 661



**Codes & Standards**

ADA

ASME  
A112.18.1/CSA  
B125.1

California Energy  
Commission  
(CEC)

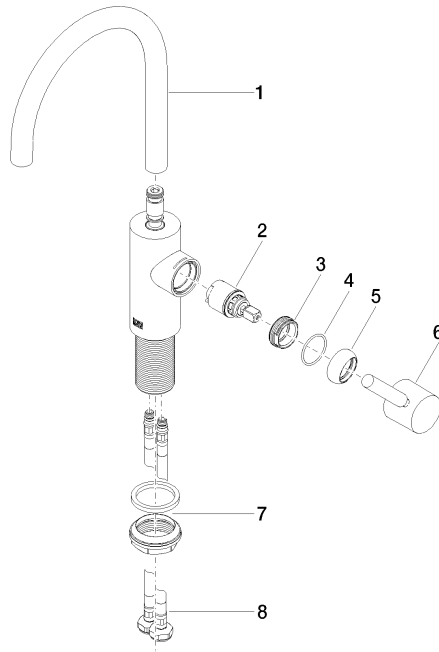
NSF/ANSI 372

NSF/ANSI/CAN  
61

**Certificates**

IAPMO\_N-4976 (2). IAPMO\_6397 (1).

33 565 661



**Spare parts list**

No.	Item Number	Name	Quantity used	Delivery time
1	90 28 22 350 01-00	spout	1	10
2	90 15 05 044 00 90	cartridge	1	2
3	09 24 04 266 90	nut	1	2
4	09 14 10 091 90	seal	1	2
5	09 28 30 021-00	cover	1	10
6	90 20 66 003 00-00	handle	1	10
7	04 23 10 044 07 90	fixing set	1	2
8	04 30 04 102 00 90	High pressure hose 3/8" -	2	2