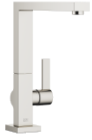


LOT Single-lever mixer - Brushed Platinum

LOT

33 800 680



- 236mm projection
- pivotable spout 360°
- air-enriched flow
- height of mixer 292 mm
- height up to aerator 267 mm
- hole diameter 35 mm
- 2 x pressure hose with 3/8" cap nut
- max. flow 5.7 l/min at 3 bar flow pressure
- lead-free
- This product can help a building meet the requirements of Green Building Rating Systems, e.g. LEED®, BREEAM®, DGNB

Not possible in combination with rinsing spray.

	Brushed Platinum	33 800 680-06 0010
	Chrome	33 800 680-00 0010
	Platinum	33 800 680-08 0010
	Dark Chrome	33 800 680-19 0010
	Brushed Durabronze (23kt Gold)	33 800 680-28 0010
	Brushed Champagne (22kt Gold)	33 800 680-46 0010
	Champagne (22kt Gold)	33 800 680-47 0010
	Brushed Dark Platinum	33 800 680-99 0010

Recommended miscellaneous

AIR SWITCH Control button - Brushed Platinum 10 714 970-06



Recommended miscellaneous

Dispenser with rosette - Brushed Platinum 82 439 970-06

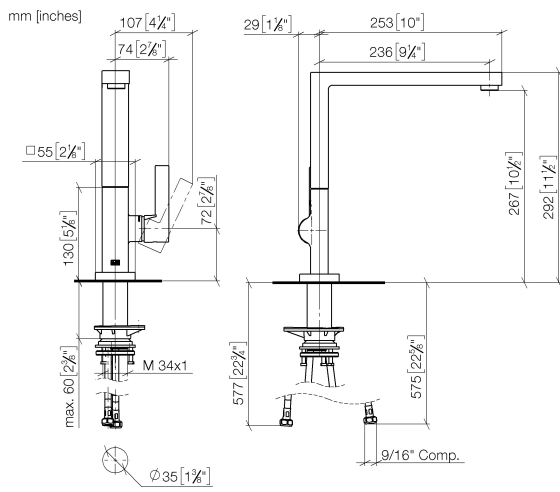




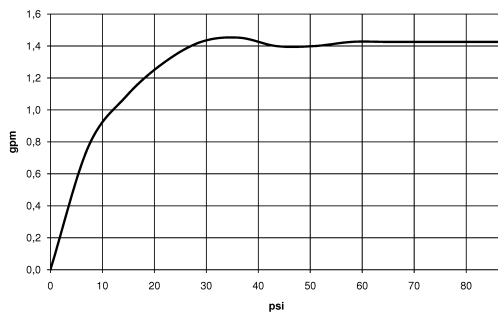
LOT Single-lever mixer - Brushed Platinum

LOT

33 800 680



Flow rate chart

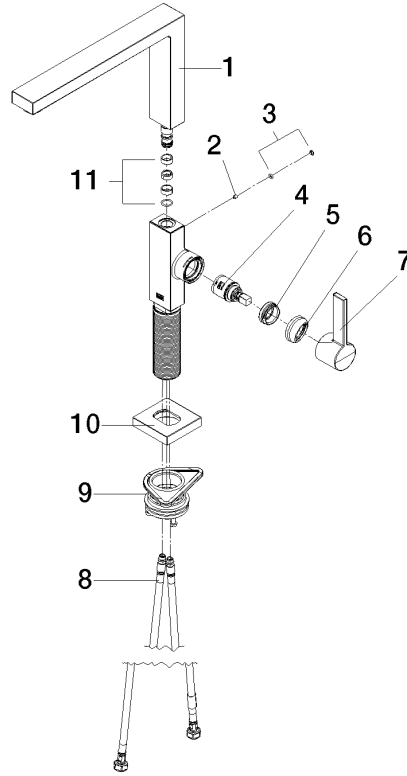


Codes & Standards

California Energy
Commission
(CEC)

33 800 680

Parts for other finishes can be found here: [Chrome](#)



Spare parts list

No.	Item Number	Name	Quantity used	Delivery time
1	90 11 06 218 01-06	spout	1	-
Spare part can no longer be ordered, please order the replacement item				
2	09 31 11 044 90	pin	1	2
3	90 31 20 087 00-06	plug	1	10
4	90 15 05 042 00 90	cartridge	1	2
5	09 24 04 266 90	nut	1	2
6	90 28 30 052 00-06	cover	1	10
7	90 20 86 004 00-06	handle	1	10
8	04 30 04 103 00 90	hose	2	2
9	90 30 10 057 00 90	fixing set	1	-
Spare part can no longer be ordered, please order the replacement item				
10	90 27 86 004 00-06	rosette	1	-
Spare part can no longer be ordered, please order the replacement item				
11	90 28 10 207 00 90	gasket kit	1	10