

33 800 760



- 220mm projection
- pivotable spout 130°
- air-enriched flow
- height of mixer 167 mm
- height up to aerator 145 mm
- hole diameter 35 mm
- 2 x pressure hose with 3/8" cap nut
- max. flow 5.7 l/min at 3 bar flow pressure
- lead-free
- This product can help a building meet the requirements of Green Building Rating Systems, e.g. LEED®, BREEAM®, DGNB

Not possible in combination with rinsing spray.

	Chrome	33 800 760-00 0010
	Brushed Platinum	33 800 760-06 0010
	Platinum	33 800 760-08 0010
	Dark Chrome	33 800 760-19 0010
	Brushed Durabronze (23kt Gold)	33 800 760-28 0010
	Brushed Champagne (22kt Gold)	33 800 760-46 0010
	Champagne (22kt Gold)	33 800 760-47 0010
	Brushed Chrome	33 800 760-93 0010
	Brushed Dark Platinum	33 800 760-99 0010

Recommended miscellaneous

AIR SWITCH Control button - Chrome 10 713 970-00

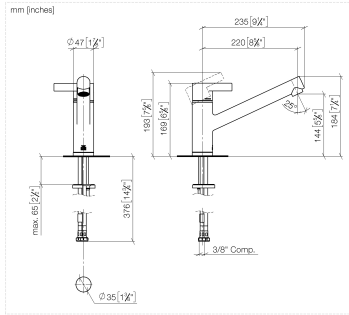


Recommended miscellaneous

Dispenser without rosette - Chrome 82 424 970-00



33 800 760



Codes & Standards

ADA

ASME
A112.18.1/CSA
B125.1

California Energy
Commission
(CEC)

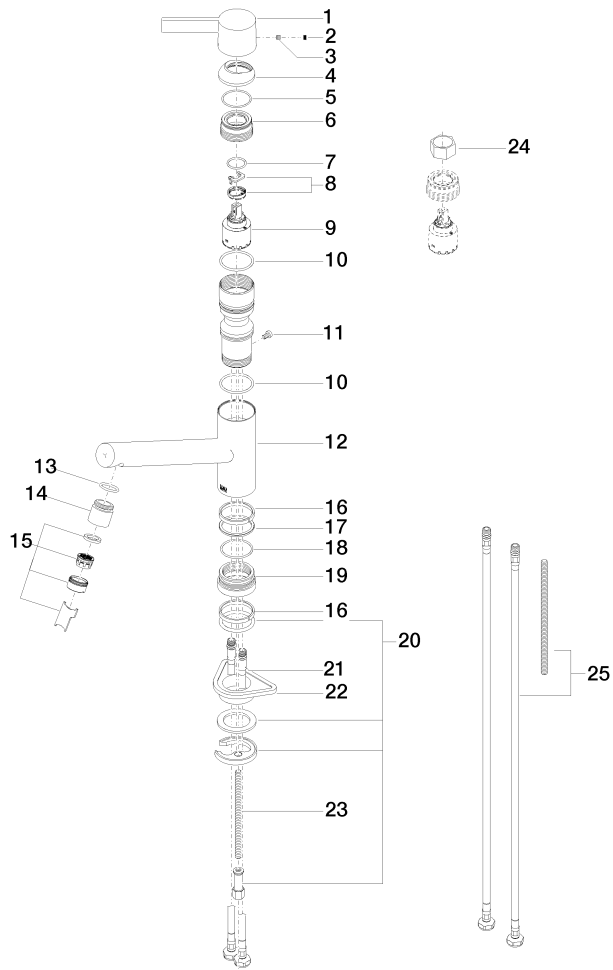
NSF/ANSI 372

NSF/ANSI/CAN
61

Certificates

IAPMO_N-4976 (1). IAPMO_4976 (3). IAPMO_6397 (1).

33 800 760



33 800 760

Spare parts list

No.	Item Number	Name	Quantity used	Delivery time
1	09 20 76 001-00	handle	1	10
2	90 31 20 109 00 90	plug	1	2
3	90 31 11 030 00 90	pin	1	2
4	09 28 30 012-00	cover	1	10
5	09 14 10 102 90	seal	1	2
6	09 24 04 270 90	nut	1	2
7	09 14 10 031 90	seal	1	2
8	90 28 10 148 00 90	accessories	1	2
9	90 15 05 064 00 90	cartridge	1	2
10	09 14 10 038 90	seal	1	2
11	09 30 30 112 90	screw	1	2
12	09 19 76 002-00	sleeve	1	10
13	09 14 10 100 90	seal	1	2
14	09 24 04 164 10-00	nipple	1	10
15	90 23 01 026 08-00	aerator	1	10
16	09 14 15 029 90	ring	2	2
17	09 28 10 144 90	ring	1	2
18	09 14 10 034 90	seal	1	2
19	09 27 76 001-00	rosette	1	10
20	04 30 11 038 75 90	fixing set	1	2
21	04 30 04 106 00 90	hose	2	2
22	09 18 40 090 90	sleeve	1	2
23	09 31 11 091 90	pin	1	2
24	90 30 09 031 00 90	key	1	2
25	12 803 970-90 0010	Extension set -	1	60