
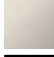



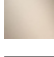




33 800 888



- 201mm projection
- pivotable spout 360°
- air-enriched flow
- height of mixer 325 mm
- height up to aerator 180 mm
- hole diameter 35 mm
- 2 x pressure hose with 3/8" cap nut
- max. flow 5.7 l/min at 3 bar flow pressure
- lead-free
- This product can help a building meet the requirements of Green Building Rating Systems, e.g. LEED®, BREEAM®, DGNB

Not possible in combination with rinsing spray.

	Chrome	33 800 888-00 0010
	Brushed Platinum	33 800 888-06 0010
	Platinum	33 800 888-08 0010
	Durabronze (23kt Gold)	33 800 888-09 0010
	Dark Chrome	33 800 888-19 0010
	Brushed Durabronze (23kt Gold)	33 800 888-28 0010
	Matte Black	33 800 888-33 0010
	Brushed Champagne (22kt Gold)	33 800 888-46 0010
	Champagne (22kt Gold)	33 800 888-47 0010
	Brushed Chrome	33 800 888-93 0010
	Brushed Dark Platinum	33 800 888-99 0010

Recommended miscellaneous

AIR SWITCH Control button - Chrome 10 713 970-00

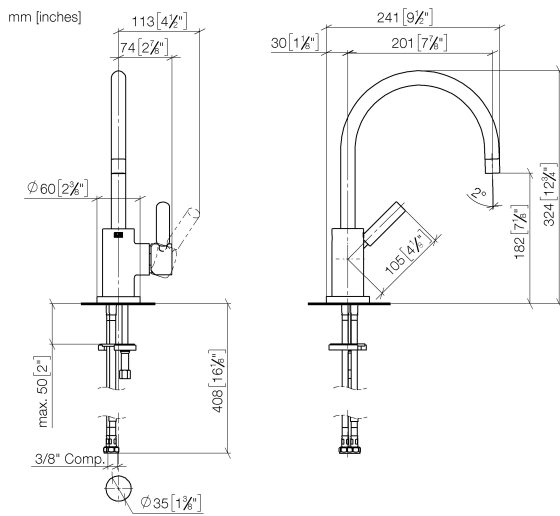


Recommended miscellaneous

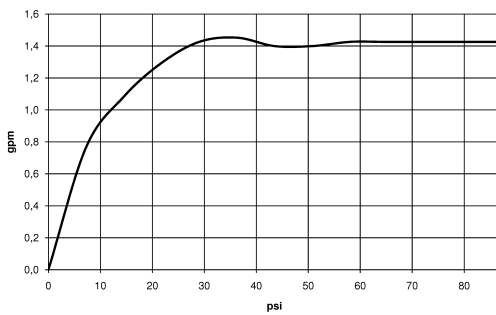
Dispenser with rosette - Chrome 82 444 970-00



33 800 888



Flow rate chart



Codes & Standards

ADA

ASME
A112.18.1/CSA
B125.1

California Energy
Commission
(CEC)

NSF/ANSI 372

NSF/ANSI/CAN
61



TARA Single-lever mixer - Chrome

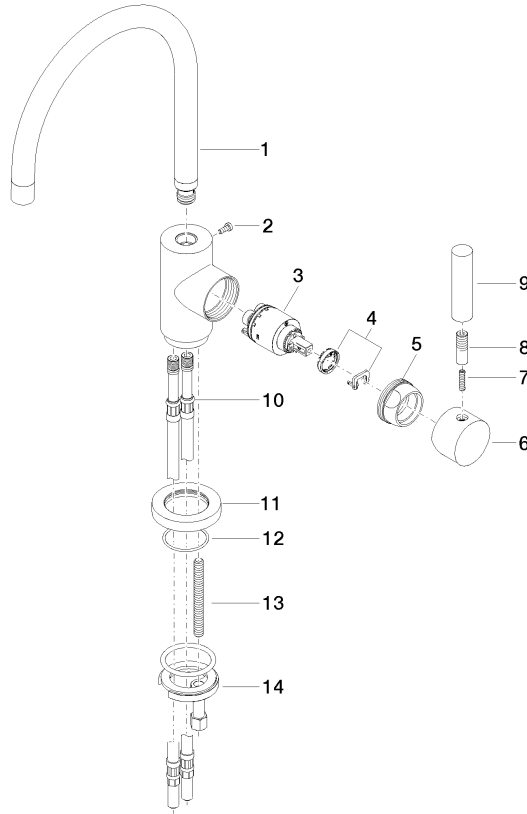
TARA

33 800 888

Certificates

IAPMO_N-4976 (1). IAPMO_4976 (3). IAPMO_6397 (1).

33 800 888



Spare parts list

No.	Item Number	Name	Quantity used	Delivery time
1	90 28 22 048 03-00	spout	1	10
2	09 30 30 054 90	screw	1	2
3	90 15 05 065 00 90	cartridge	1	2
4	90 28 10 148 00 90	accessories	1	2
5	09 24 04 107-00	nut	1	10
6	90 20 88 040 00-00	handle	1	10
7	09 31 11 010 90	pin	1	2
8	90 24 04 048 00-00	nipple	1	10
9	11 170 880-00	handle	1	10
10	04 30 04 044 00 90	hose	2	60
11	09 28 10 055-00	rosette	1	10
12	09 14 10 034 90	seal	1	2
13	09 31 11 011 90	pin	1	2
14	04 30 11 038 00 90	fixing set	1	2