

33 805 809



- 167mm projection
- pivotable spout 360°
- air-enriched flow
- height of mixer 306 mm
- height up to laminar flow regulator 224 mm
- hole diameter 35 mm
- 2 x pressure hose with 3/8" cap nut
- max. flow 5.6 l/min at 3 bar flow pressure
- lead-free
- This product can help a building meet the requirements of Green Building Rating Systems, e.g. LEED®, BREEAM®, DGNB

Not possible in combination with rinsing spray.

	Platinum	33 805 809-08 0010
	Chrome	33 805 809-00 0010
	Brushed Platinum	33 805 809-06 0010
	Durabronze (23kt Gold)	33 805 809-09 0010
	Dark Chrome	33 805 809-19 0010
	Brushed Durabronze (23kt Gold)	33 805 809-28 0010
	Matte Black	33 805 809-33 0010
	Brushed Champagne (22kt Gold)	33 805 809-46 0010
	Champagne (22kt Gold)	33 805 809-47 0010
	Brushed Chrome	33 805 809-93 0010
	Brushed Dark Platinum	33 805 809-99 0010

Recommended miscellaneous

VAIA Dispenser with rosette - Platinum 82 434 809-08



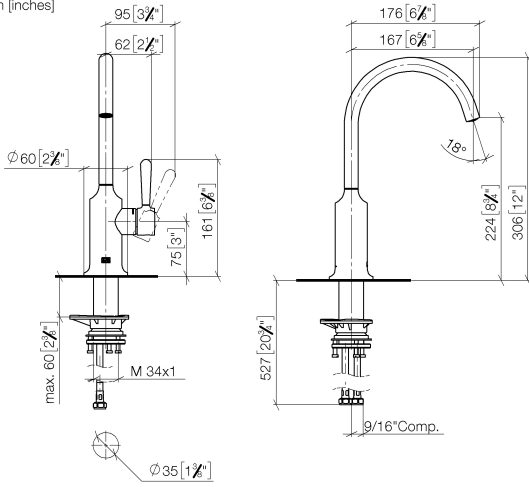
Recommended miscellaneous

VAIA AIR SWITCH Control button - Platinum 10 713 809-08

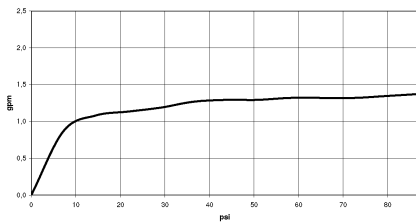


33 805 809

mm [inches]



Flow rate chart



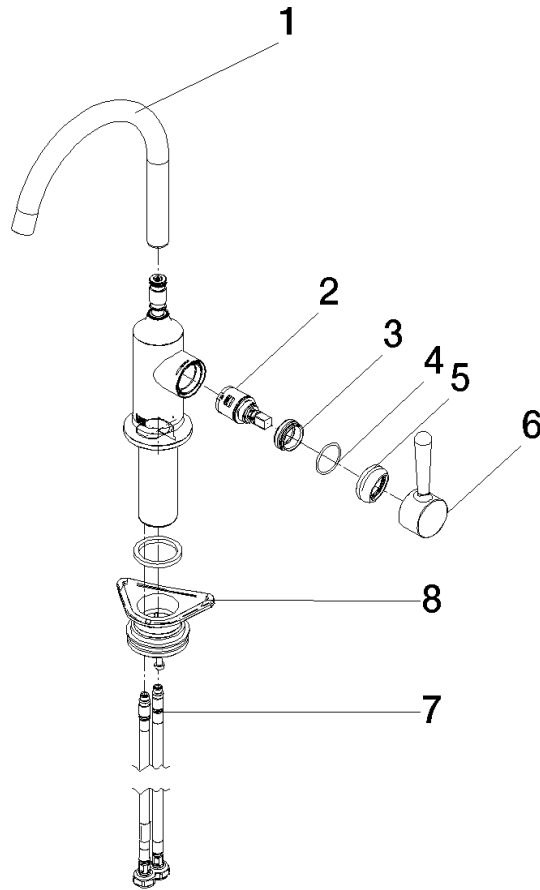
Codes & Standards

California Energy
Commission
(CEC)

33 805 809

Product version from 7/1/2023

Parts for other finishes can be found here: Chrome





VAIA BAR TAP Single-lever mixer - Platinum

VAIA

33 805 809

Spare parts list

Product version from 7/1/2023

No.	Item Number	Name	Quantity used	Delivery time
	90 28 22 311 00-08	spout	9	40