

33 805 809



- 167mm projection
- pivotable spout 360°
- air-enriched flow
- height of mixer 306 mm
- height up to laminar flow regulator 224 mm
- hole diameter 35 mm
- 2 x pressure hose with 3/8" cap nut
- max. flow 5.6 l/min at 3 bar flow pressure
- lead-free
- This product can help a building meet the requirements of Green Building Rating Systems, e.g. LEED®, BREEAM®, DGNB

Not possible in combination with rinsing spray.

	Brushed Dark Platinum	33 805 809-99 0010
	Chrome	33 805 809-00 0010
	Brushed Platinum	33 805 809-06 0010
	Platinum	33 805 809-08 0010
	Durabronze (23kt Gold)	33 805 809-09 0010
	Dark Chrome	33 805 809-19 0010
	Brushed Durabronze (23kt Gold)	33 805 809-28 0010
	Matte Black	33 805 809-33 0010
	Brushed Champagne (22kt Gold)	33 805 809-46 0010
	Champagne (22kt Gold)	33 805 809-47 0010
	Brushed Chrome	33 805 809-93 0010

Recommended miscellaneous

**VAIA Dispenser with rosette -** 82 434 809-99  
**Brushed Dark Platinum**



Recommended miscellaneous

**VAIA AIR SWITCH Control button -** 10 713 809-99  
**Brushed Dark Platinum**



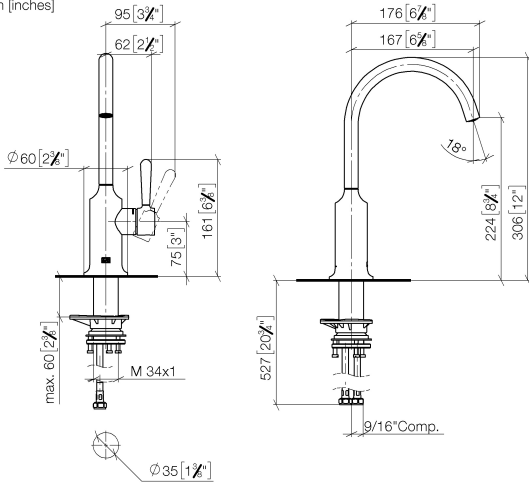


# VAIA BAR TAP Single-lever mixer - Brushed Dark Platinum

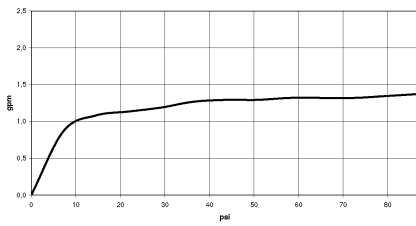
VAIA

33 805 809

mm [inches]



## Flow rate chart



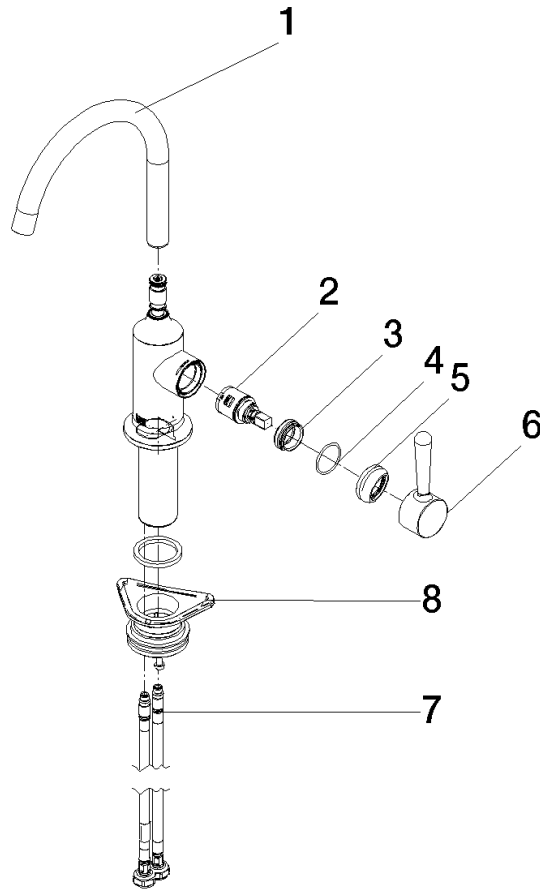
## Codes & Standards

California Energy  
Commission  
(CEC)

33 805 809

**Product version from 7/1/2023**

Parts for other finishes can be found here: [Chrome](#)





VAIA BAR TAP Single-lever mixer - Brushed Dark Platinum

VAIA

33 805 809

**Spare parts list**

**Product version from 7/1/2023**

No.	Item Number	Name	Quantity used	Delivery time
	90 28 22 311 00-99	spout	9	30