

META SQUARE BAR TAP Single-lever mixer - Brushed Durabron (23kt Gold)

META SQUARE

33 805 861



- 166mm projection
- pivotable spout 360°
- Optional swivel limiter available with swivel limiter set 12 820 970 90
- air-enriched flow
- height of mixer 309 mm
- height up to aerator 234 mm
- hole diameter 35 mm
- 2 x pressure hose with 3/8" cap nut
- max. flow 5.7 l/min at 3 bar flow pressure
- lead-free
- This product can help a building meet the requirements of Green Building Rating Systems, e.g. LEED®, BREEAM®, DGNB

Not possible in combination with rinsing spray.

| | | |
|--|-------------------------------|--------------------|
|  | Brushed Durabron (23kt Gold) | 33 805 861-28 0010 |
|  | Chrome | 33 805 861-00 0010 |
|  | Brushed Platinum | 33 805 861-06 0010 |
|  | Platinum | 33 805 861-08 0010 |
|  | Durabron (23kt Gold) | 33 805 861-09 0010 |
|  | Dark Chrome | 33 805 861-19 0010 |
|  | Matte Black | 33 805 861-33 0010 |
|  | Brushed Champagne (22kt Gold) | 33 805 861-46 0010 |
|  | Champagne (22kt Gold) | 33 805 861-47 0010 |
|  | Brushed Chrome | 33 805 861-93 0010 |
|  | Brushed Dark Platinum | 33 805 861-99 0010 |

Recommended miscellaneous

| | | |
|---|--------------------------------|---------------|
|  | Swivel limitation set - | 12 820 970 90 |
|---|--------------------------------|---------------|

Recommended miscellaneous

| | | |
|---|---|---------------|
|  | AIR SWITCH Control button - Brushed Durabron (23kt Gold) | 10 713 970-28 |
|---|---|---------------|

Recommended miscellaneous

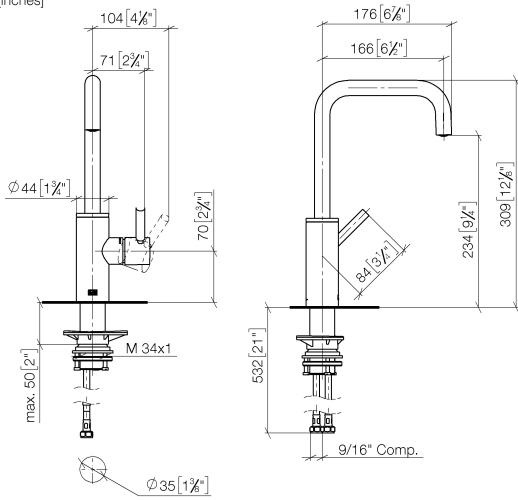
| | | |
|---|---|---------------|
|  | Dispenser without rosette - Brushed Durabron (23kt Gold) | 82 424 970-28 |
|---|---|---------------|



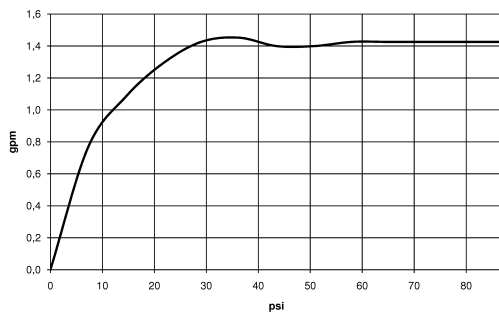
META SQUARE BAR TAP Single-lever mixer - Brushed Durabronz (23kt Gold) META SQUARE

33 805 861

mm [inches]



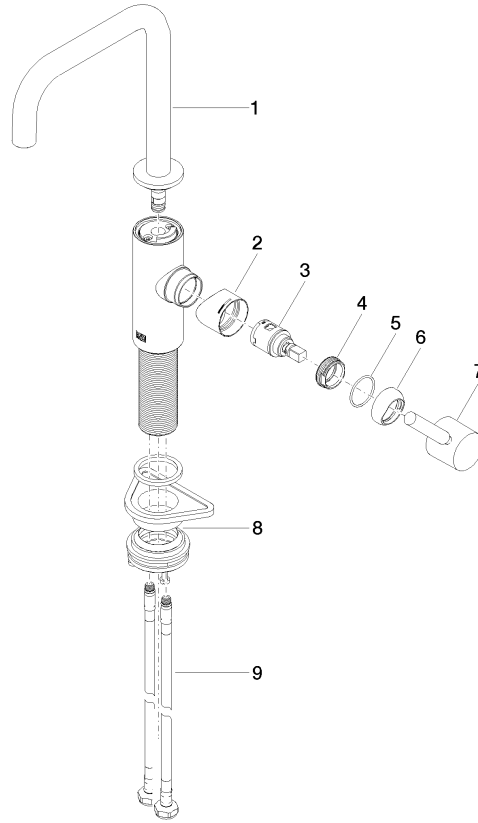
Flow rate chart



Codes & Standards

California Energy
Commission
(CEC)

33 805 861





META SQUARE BAR TAP Single-lever mixer - Brushed Durabronz (23kt Gold) META SQUARE

33 805 861

Spare parts list

| No. | Item Number | Name | Quantity used | Delivery time |
|-----|--------------------|-------|---------------|---------------|
| | 90 28 22 285 01-28 | spout | 10 | - |

Spare part can no longer be ordered, please order the replacement item