

33 805 875



- 166mm projection
- pivotable spout 360°
- laminar flow
- height of mixer 303 mm
- height up to laminar flow regulator 186 mm
- hole diameter 35 mm
- 2 x pressure hose with 3/8" cap nut
- max. flow 5.7 l/min at 3 bar flow pressure
- lead-free
- This product can help a building meet the requirements of Green Building Rating Systems, e.g. LEED®, BREEAM®, DGNB

Not possible in combination with rinsing spray.

	Brushed Chrome	33 805 875-93 0010
	Chrome	33 805 875-00 0010
	Brushed Platinum	33 805 875-06 0010
	Platinum	33 805 875-08 0010
	Durabrand (23kt Gold)	33 805 875-09 0010
	Dark Chrome	33 805 875-19 0010
	Brushed Durabrand (23kt Gold)	33 805 875-28 0010
	Matte Black	33 805 875-33 0010
	Brushed Champagne (22kt Gold)	33 805 875-46 0010
	Champagne (22kt Gold)	33 805 875-47 0010
	Brushed Dark Platinum	33 805 875-99 0010

**Recommended miscellaneous**

**Dispenser without rosette -  
Brushed Chrome** 82 424 970-93



**Recommended miscellaneous**

**AIR SWITCH Control button -  
Brushed Chrome** 10 713 970-93

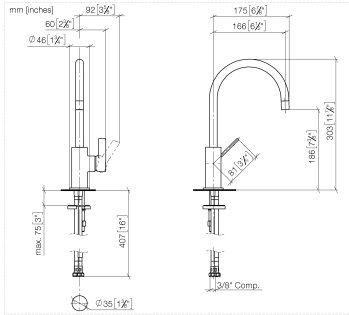




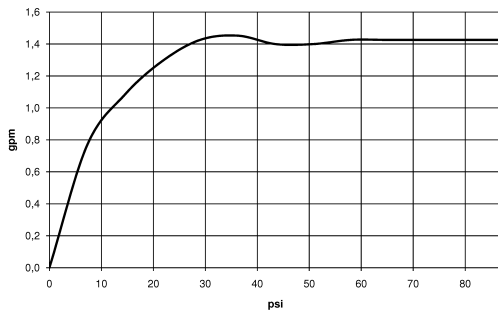
TARA ULTRA BAR TAP Single-lever mixer - Brushed Chrome

TARA ULTRA

33 805 875



Flow rate chart



Codes & Standards

ADA	ASME A112.18.1/CSA B125.1	California Energy Commission (CEC)	NSF/ANSI 372
NSF/ANSI/CAN 61	NSF372	NSF61	



TARA ULTRA BAR TAP Single-lever mixer - Brushed Chrome

TARA ULTRA

33 805 875

Certificates

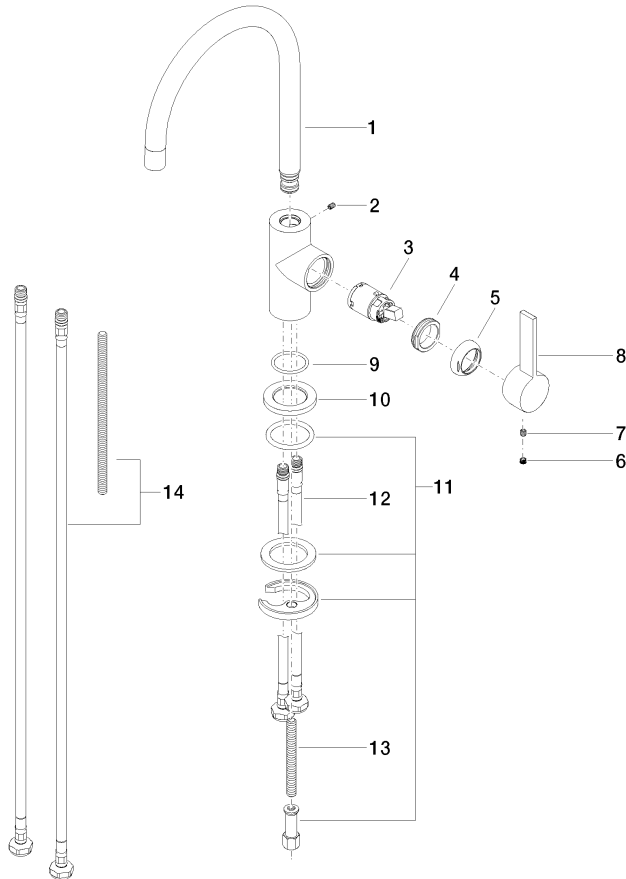
IAPMO\_6397

IAPMO\_N-4976

33 805 875

**Product version from 5/3/2021**

Parts for other finishes can be found here: [Chrome](#)





33 805 875

### Spare parts list

#### Product version from 5/3/2021

No.	Item Number	Name	Quantity used	Delivery time
	90 28 22 206 01-93	spout	15	20