

33 805 888



- 166mm projection
- pivotable spout 360°
- air-enriched flow
- height of mixer 302 mm
- height up to aerator 185 mm
- hole diameter 35 mm
- 2 x pressure hose with 3/8" cap nut
- max. flow 5.7 l/min at 3 bar flow pressure
- lead-free
- This product can help a building meet the requirements of Green Building Rating Systems, e.g. LEED®, BREEAM®, DGNB

Not possible in combination with rinsing spray.

	Durabronz (23kt Gold)	33 805 888-09 0010
	Chrome	33 805 888-00 0010
	Brushed Platinum	33 805 888-06 0010
	Platinum	33 805 888-08 0010
	Dark Chrome	33 805 888-19 0010
	Brushed Durabronz (23kt Gold)	33 805 888-28 0010
	Matte Black	33 805 888-33 0010
	Brushed Bronze	33 805 888-42 0010
	Brushed Champagne (22kt Gold)	33 805 888-46 0010
	Champagne (22kt Gold)	33 805 888-47 0010
	Brushed Chrome	33 805 888-93 0010
	Brushed Dark Platinum	33 805 888-99 0010

**Recommended miscellaneous**

**AIR SWITCH Control button - Durabronz (23kt Gold)** 10 713 970-09



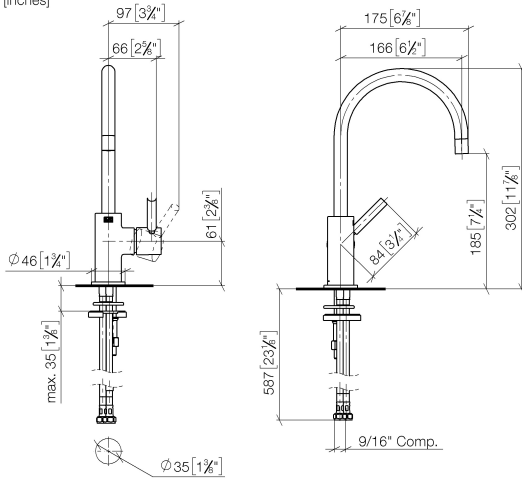
**Recommended miscellaneous**

**Dispenser with rosette - Durabronz (23kt Gold)** 82 444 970-09

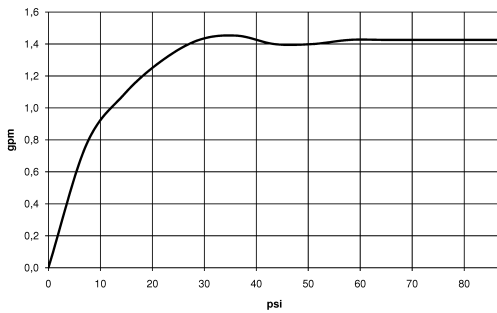


33 805 888

mm [inches]



**Flow rate chart**



**Codes & Standards**

California Energy  
Commission  
(CEC)

NSF372



TARA BAR TAP Single-lever mixer - Durabronss (23kt Gold)

---

TARA

33 805 888

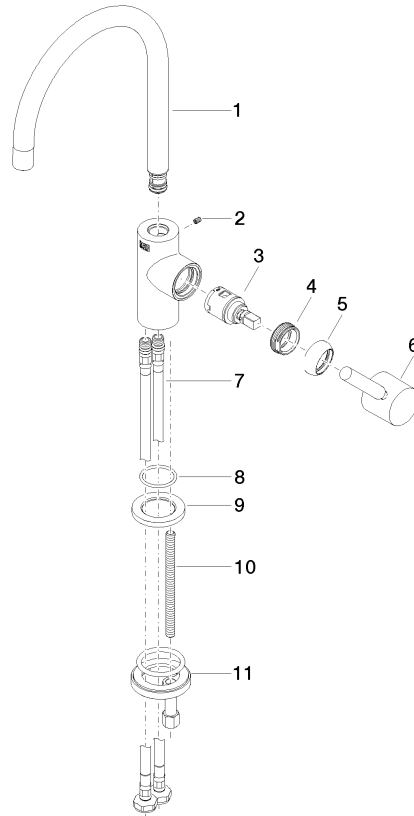
Certificates

---

IAPMO\_6397

33 805 888

Parts for other finishes can be found here: [Chrome](#)



### Spare parts list

No.	Item Number	Name	Quantity used	Delivery time
1	90 28 22 393 01-09	spout	1	-
Spare part can no longer be ordered, please order the replacement item				
2	09 31 11 008 90	pin	1	2
3	90 15 05 042 00 90	cartridge	1	2
4	09 24 04 266 90	nut	1	2
5	09 28 30 021-09	cover	1	60
6	90 20 66 003 00-09	handle	1	-
Spare part can no longer be ordered, please order the replacement item				
7	04 30 04 107 00 90	hose	2	2
8	09 14 10 118 90	seal	1	2
9	09 27 85 001-09	rosette	1	40
10	09 31 11 012 90	pin	1	2
11	04 30 11 038 64 90	fixing set	1	2