

33 815 861




- 235mm projection
- pivotable spout 360°
- Optional swivel limiter available with swivel limiter set 12 820 970 90
- air-enriched flow
- height of mixer 357 mm
- height up to aerator 282 mm
- hole diameter 35 mm
- 2 x pressure hose with 3/8" cap nut
- max. flow 5.7 l/min at 3 bar flow pressure
- lead-free
- This product can help a building meet the requirements of Green Building Rating Systems, e.g. LEED®, BREEAM®, DGNB


Not possible in combination with rinsing spray.

	Matte Black	33 815 861-33 0010
	Chrome	33 815 861-00 0010
	Brushed Platinum	33 815 861-06 0010
	Platinum	33 815 861-08 0010
	Durabronze (23kt Gold)	33 815 861-09 0010
	Dark Chrome	33 815 861-19 0010
	Brushed Durabronze (23kt Gold)	33 815 861-28 0010
	Brushed Champagne (22kt Gold)	33 815 861-46 0010
	Champagne (22kt Gold)	33 815 861-47 0010
	Brushed Chrome	33 815 861-93 0010
	Brushed Dark Platinum	33 815 861-99 0010


Recommended miscellaneous

	Swivel limitation set -	12 820 970 90
---	--------------------------------	---------------

Recommended miscellaneous

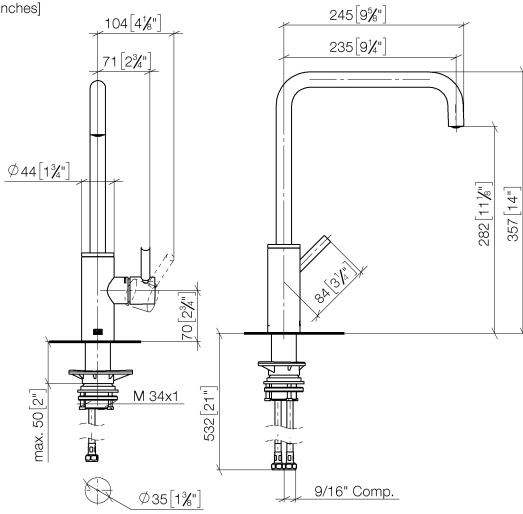
	Dispenser without rosette - Matte Black	82 424 970-33
---	--	---------------

Recommended miscellaneous

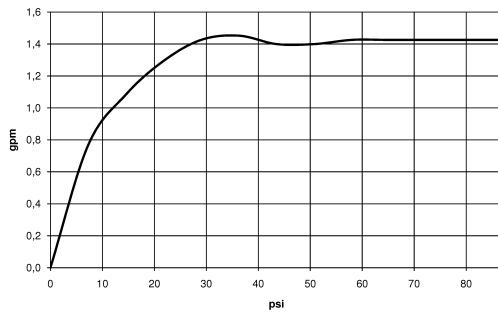
	AIR SWITCH Control button - Matte Black	10 713 970-33
---	--	---------------

33 815 861

mm [inches]



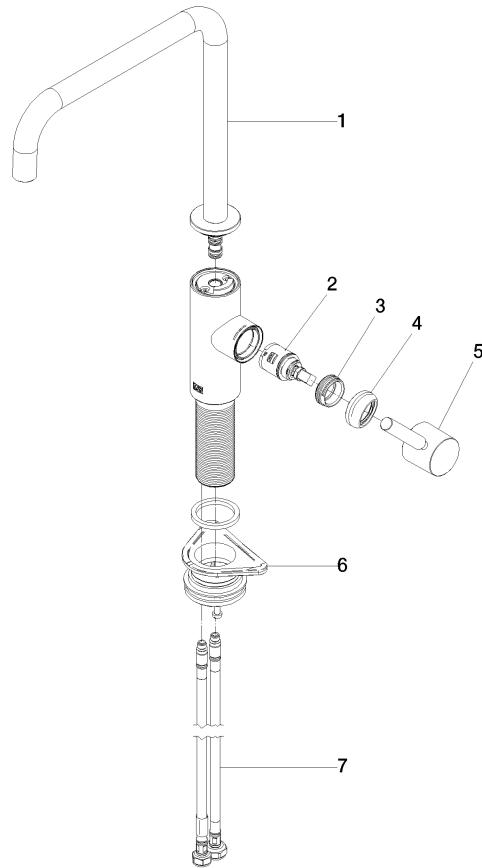
Flow rate chart



Codes & Standards

California Energy
Commission
(CEC)

33 815 861



Spare parts list

No.	Item Number	Name	Quantity used	Delivery time
1	90 28 22 284 01-33	spout	1	-
Spare part can no longer be ordered, please order the replacement item				
2	90 15 05 042 00 90	cartridge	1	2
3	09 24 04 266 90	nut	1	2
4	90 28 30 052 00-33	cover	1	30
5	90 20 66 033 00-33	handle	1	30
6	04 23 10 044 08 90	fixing set	1	2
7	04 30 04 103 00 90	hose	2	2