

**TARA Single-lever mixer - Brushed Platinum**

TARA

33 815 888



- 236mm projection
- pivotable spout 360°
- air-enriched flow
- height of mixer 400 mm
- height up to aerator 230 mm
- hole diameter 35 mm
- 2 x pressure hose with 3/8" cap nut
- max. flow 5.7 l/min at 3 bar flow pressure
- lead-free
- This product can help a building meet the requirements of Green Building Rating Systems, e.g. LEED®, BREEAM®, DGNB

Not possible in combination with rinsing spray.

	Brushed Platinum	33 815 888-06 0010
	Chrome	33 815 888-00 0010
	Platinum	33 815 888-08 0010
	Durabronze (23kt Gold)	33 815 888-09 0010
	Dark Chrome	33 815 888-19 0010
	Brushed Durabronze (23kt Gold)	33 815 888-28 0010
	Matte Black	33 815 888-33 0010
	Brushed Champagne (22kt Gold)	33 815 888-46 0010
	Champagne (22kt Gold)	33 815 888-47 0010
	Brushed Chrome	33 815 888-93 0010
	Brushed Dark Platinum	33 815 888-99 0010

**Recommended miscellaneous**

**AIR SWITCH Control button - Brushed Platinum** 10 713 970-06

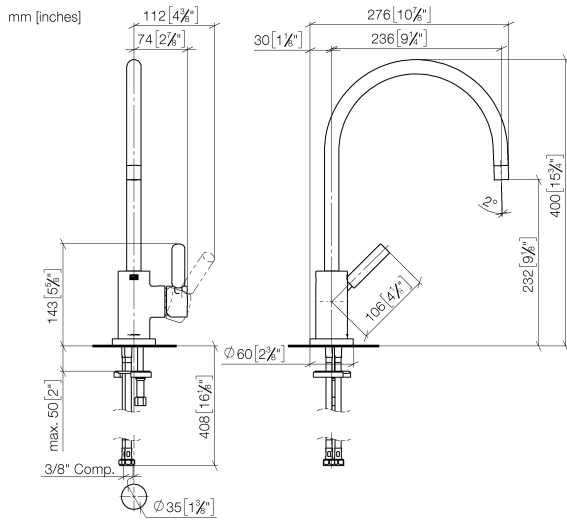


**Recommended miscellaneous**

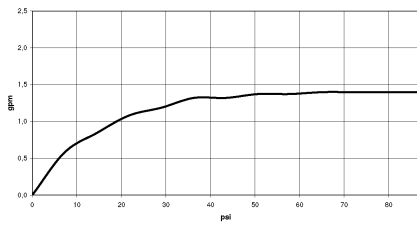
**Dispenser with rosette - Brushed Platinum** 82 444 970-06



33 815 888



Flow rate chart



Codes & Standards

ADA	ASME A112.18.1	ASME A112.18.1/CSA B125.1	California Energy Commission (CEC)
cUPC	NSF/ANSI 372	NSF/ANSI/CAN 61	NSF372
NSF61			



## TARA Single-lever mixer - Brushed Platinum

---

TARA

33 815 888

### Certificates

---

IAPMO\_4976

IAPMO\_6397

IAPMO\_N-4976

33 815 888

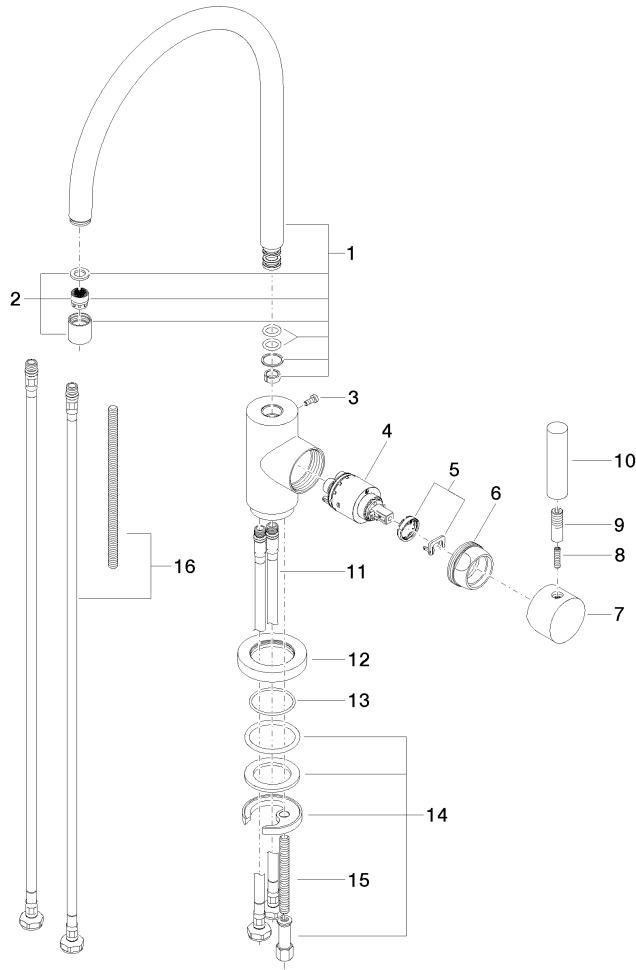
Product version up to 5/31/2010

Product version from 5/31/2010 to 10/27/2020

Product version from 10/27/2020 to 9/7/2021

**Product version from 9/7/2021**

Parts for other finishes can be found here: [Chrome](#)





## TARA Single-lever mixer - Brushed Platinum

TARA

33 815 888

### Spare parts list

Product version up to 5/31/2010

Product version from 5/31/2010 to 10/27/2020

Product version from 10/27/2020 to 9/7/2021

### **Product version from 9/7/2021**

No.	Item Number	Name	Quantity used	Delivery time
	90 28 22 049 03-06	spout	17	10