

33 816 875



- 241mm projection
- pivotable spout 360°
- air-enriched flow
- height of mixer 393 mm
- height up to aerator 240 mm
- hole diameter 35 mm
- 2 x pressure hose with 3/8" cap nut
- max. flow 5.7 l/min at 3 bar flow pressure
- lead-free
- This product can help a building meet the requirements of Green Building Rating Systems, e.g. LEED®, BREEAM®, DGNB

Not possible in combination with rinsing spray.

| | | |
|---|-------------------------------|--------------------|
|  | Chrome | 33 816 875-00 0010 |
|  | Brushed Platinum | 33 816 875-06 0010 |
|  | Platinum | 33 816 875-08 0010 |
|  | Durabrand (23kt Gold) | 33 816 875-09 0010 |
|  | Dark Chrome | 33 816 875-19 0010 |
|  | Brushed Durabrand (23kt Gold) | 33 816 875-28 0010 |
|  | Matte Black | 33 816 875-33 0010 |
|  | Brushed Champagne (22kt Gold) | 33 816 875-46 0010 |
|  | Champagne (22kt Gold) | 33 816 875-47 0010 |
|  | Brushed Chrome | 33 816 875-93 0010 |
|  | Brushed Dark Platinum | 33 816 875-99 0010 |

Recommended miscellaneous

AIR SWITCH Control button - Chrome 10 713 970-00



Recommended miscellaneous

Dispenser without rosette - Chrome 82 424 970-00

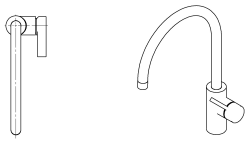
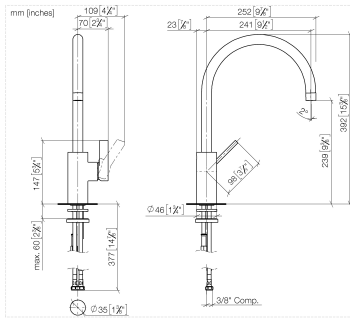




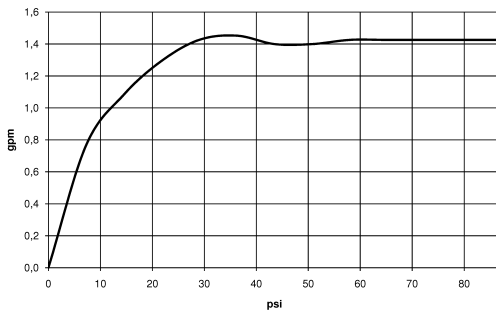
TARA ULTRA Single-lever mixer - Chrome

TARA ULTRA

33 816 875



Flow rate chart



Codes & Standards

ADA

ASME
A112.18.1/CSA
B125.1

California Energy
Commission
(CEC)

NSF/ANSI 372

NSF/ANSI/CAN
61



TARA ULTRA Single-lever mixer - Chrome

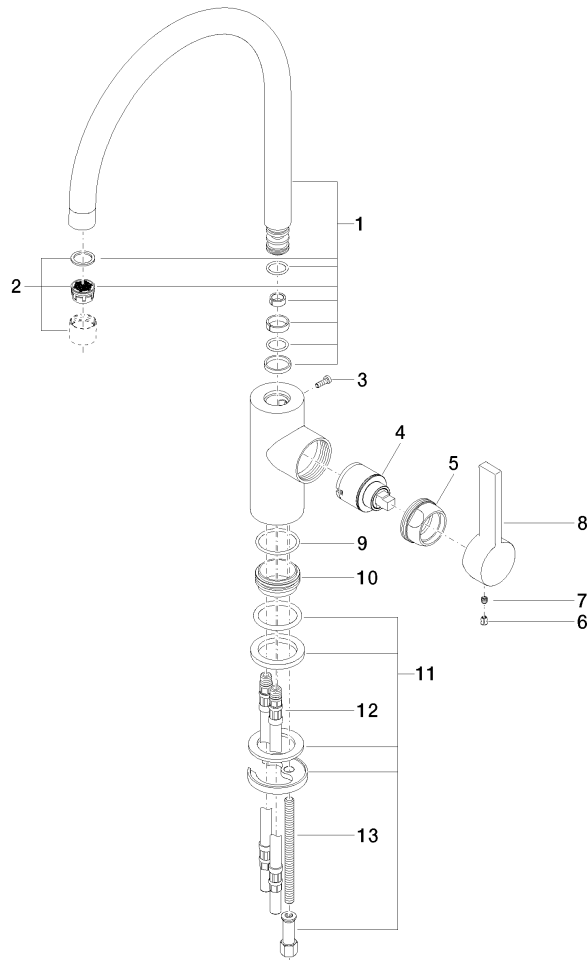
TARA ULTRA

33 816 875

Certificates

IAPMO_N-4976 (2). IAPMO_4976 (3). IAPMO_6397 (1).

33 816 875



Spare parts list

| No. | Item Number | Name | Quantity used | Delivery time |
|-----|--------------------|------------|---------------|---------------|
| 1 | 90 28 22 202 03-00 | spout | 1 | 10 |
| 2 | 90 23 01 004 02-00 | aerator | 1 | 10 |
| 3 | 09 30 30 080 90 | screw | 1 | 2 |
| 4 | 90 15 05 045 00 90 | cartridge | 1 | 2 |
| 5 | 09 24 04 107-00 | nut | 1 | 10 |
| 6 | 09 31 20 017 90 | plug | 1 | 2 |
| 7 | 90 31 11 030 00 90 | pin | 1 | 2 |
| 8 | 09 20 79 040-00 | handle | 1 | 10 |
| 9 | 09 14 10 119 90 | seal | 1 | 2 |
| 10 | 09 28 10 109-07 | ring | 1 | 30 |
| 11 | 04 30 11 085 88 90 | fixing set | 1 | 2 |
| 12 | 04 30 04 045 00 90 | hose | 2 | 60 |
| 13 | 09 31 11 012 90 | pin | 1 | 2 |