

33 826 809 Product version from 7/1/2023



- 241mm projection
- pivotable spout 360°
- air-enriched flow
- max. flow 5.7 l/min at 3 bar flow pressure
- lead-free
- This product can help a building meet the requirements of Green Building Rating Systems, e.g. LEED®, BREEAM®, DGNB

Single-lever mixer for combining with rinsing/Profi spray only

	Brushed Platinum	33 826 809-06 0010
	Chrome	33 826 809-00 0010
	Platinum	33 826 809-08 0010
	Durabronze (23kt Gold)	33 826 809-09 0010
	Dark Chrome	33 826 809-19 0010
	Brushed Durabronze (23kt Gold)	33 826 809-28 0010
	Matte Black	33 826 809-33 0010
	Brushed Bronze	33 826 809-42 0010
	Brushed Champagne (22kt Gold)	33 826 809-46 0010
	Champagne (22kt Gold)	33 826 809-47 0010
	Brushed Chrome	33 826 809-93 0010
	Brushed Dark Platinum	33 826 809-99 0010

Recommended miscellaneous



**VAIA Rinsing spray set - Brushed Platinum** 27 718 809-06

Recommended miscellaneous



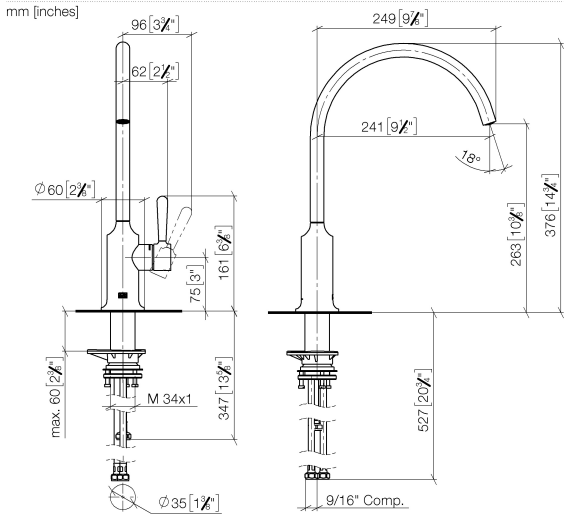
**VAIA Dispenser with rosette - Brushed Platinum** 82 434 809-06

Recommended miscellaneous

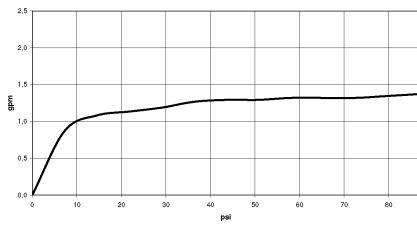


**VAIA AIR SWITCH Control button - 10 713 809-06**  
Brushed Platinum

33 826 809 Product version from 7/1/2023



Flow rate chart



Codes & Standards

ASME A112.18.1

California Energy  
Commission  
(CEC)

cUPC

NSF372

NSF61



## VAIA Single-lever mixer for rinsing/Profi spray - Brushed Platinum

---

VAIA

33 826 809 Product version from 7/1/2023

### Certificates

---

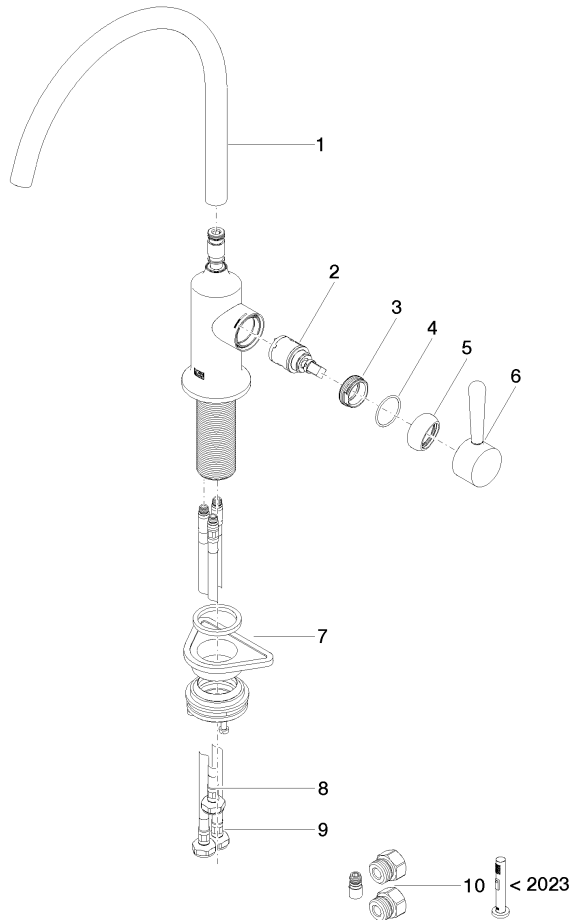
IAPMO\_N-4976

IAPMO\_6397

IAPMO\_4976

33 826 809 Product version from 7/1/2023

Parts for other finishes can be found here: [Chrome](#)



### Spare parts list

No.	Item Number	Name	Quantity used	Delivery time
1	90 28 22 396 01-06	spout	1	10
2	90 15 05 042 00 90	cartridge	1	2
3	09 24 04 266 90	nut	1	2
4	09 14 10 091 90	seal	1	2
5	90 28 30 052 00-06	cover	1	10
6	90 20 80 050 00-06	handle	1	-
Spare part can no longer be ordered, please order the replacement item				
7	04 23 10 044 08 90	fixing set	1	2
8	04 30 04 100 00 90	hose	1	2
9	04 30 04 103 00 90	hose	2	2
10	90 17 09 046 14 90	conversion kit	1	2