

33 826 875



- 241mm projection
  - pivotable spout 360°
  - air-enriched flow
  - height of mixer 393 mm
  - height up to aerator 240 mm
  - single-lever mixer hole diameter 35mm
  - 2x US pressure hose, 3/8"
  - max. flow 5.7 l/min at 3 bar flow pressure
  - lead-free
  - This product can help a building meet the requirements of Green Building Rating Systems, e.g. LEED®, BREEAM®, DGNB
- Single-lever mixer for combining with rinsing/Profi spray only**

Single-lever mixer for combining with rinsing/Profi spray only

	Chrome	33 826 875-00 0010
	Brushed Platinum	33 826 875-06 0010
	Platinum	33 826 875-08 0010
	Durabrand (23kt Gold)	33 826 875-09 0010
	Dark Chrome	33 826 875-19 0010
	Brushed Durabrand (23kt Gold)	33 826 875-28 0010
	Matte Black	33 826 875-33 0010
	Brushed Champagne (22kt Gold)	33 826 875-46 0010
	Champagne (22kt Gold)	33 826 875-47 0010
	Brushed Chrome	33 826 875-93 0010
	Brushed Dark Platinum	33 826 875-99 0010

Required miscellaneous



Profi spray set - Chrome

27 789 970-00 0010

Required miscellaneous



Rinsing spray set - Chrome

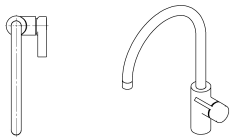
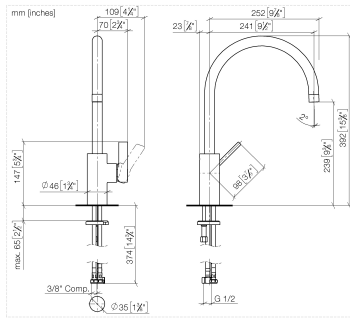
27 721 970-00



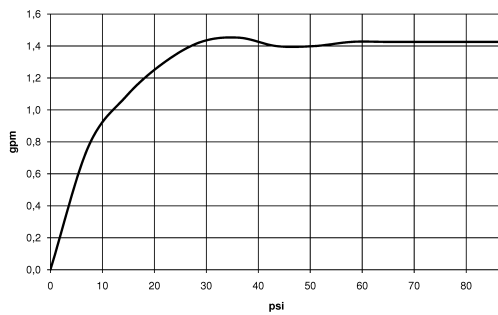
# TARA ULTRA Single-lever mixer for rinsing/Profi spray - Chrome

TARA ULTRA

33 826 875



## Flow rate chart



## Codes & Standards

ADA

ASME  
A112.18.1/CSA  
B125.1

California Energy  
Commission  
(CEC)

NSF/ANSI 372

NSF/ANSI/CAN  
61



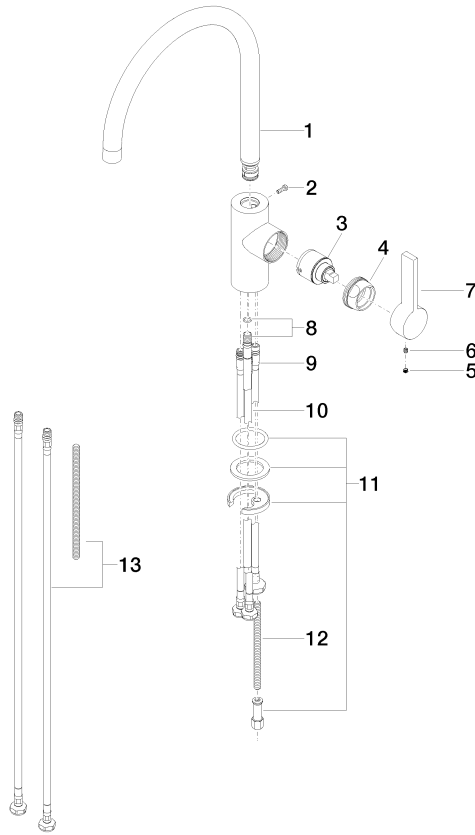
33 826 875

Certificates

---

IAPMO\_N-4976 (2). IAPMO\_4976 (3). IAPMO\_6397 (1).

33 826 875



### Spare parts list

No.	Item Number	Name	Quantity used	Delivery time
1	90 28 22 202 03-00	spout	1	10
2	09 30 30 080 90	screw	1	2
3	90 15 05 045 00 90	cartridge	1	2
4	09 24 04 107-00	nut	1	10
5	90 31 20 109 00 90	plug	1	2
6	90 31 11 030 00 90	pin	1	2
7	09 20 79 040-00	handle	1	10
8	04 24 02 046 01-07	pipe	1	10
9	04 30 04 019 00 90	hose	1	2
10	04 30 04 106 00 90	hose	2	2
11	04 30 11 038 75 90	fixing set	1	2
12	09 31 11 091 90	pin	1	2
13	12 803 970-90 0010	Extension set -	1	60