

33 826 875



- 241mm projection
- pivotable spout 360°
- air-enriched flow
- height of mixer 393 mm
- height up to aerator 240 mm
- single-lever mixer hole diameter 35mm
- 2x US pressure hose, 3/8"
- max. flow 5.7 l/min at 3 bar flow pressure
- lead-free
- This product can help a building meet the requirements of Green Building Rating Systems, e.g. LEED®, BREEAM®, DGNB

Single-lever mixer for combining with rinsing/Profi spray only

	Brushed Platinum	33 826 875-06 0010
	Chrome	33 826 875-00 0010
	Platinum	33 826 875-08 0010
	Durabronze (23kt Gold)	33 826 875-09 0010
	Dark Chrome	33 826 875-19 0010
	Brushed Durabronze (23kt Gold)	33 826 875-28 0010
	Matte Black	33 826 875-33 0010
	Brushed Champagne (22kt Gold)	33 826 875-46 0010
	Champagne (22kt Gold)	33 826 875-47 0010
	Brushed Chrome	33 826 875-93 0010
	Brushed Dark Platinum	33 826 875-99 0010

Required miscellaneous



Profi spray set - Brushed Platinum 27 789 970-06 0010

Required miscellaneous



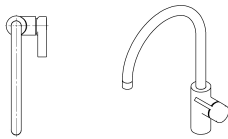
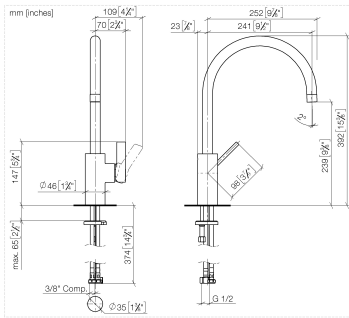
Rinsing spray set - Brushed Platinum 27 721 970-06



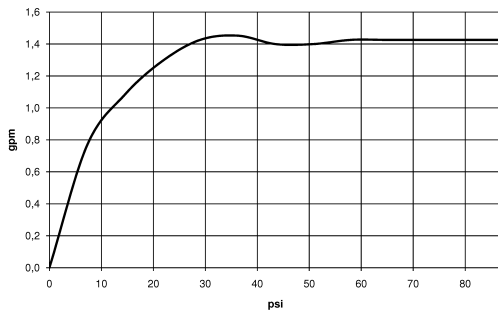
TARA ULTRA Single-lever mixer for rinsing/Profi spray - Brushed Platinum

TARA ULTRA

33 826 875



Flow rate chart



Codes & Standards

ADA	ASME A112.18.1	ASME A112.18.1/CSA B125.1	California Energy Commission (CEC)
cUPC	NSF/ANSI 372	NSF/ANSI/CAN 61	NSF372
NSF61			



TARA ULTRA Single-lever mixer for rinsing/Profi spray - Brushed Platinum

TARA ULTRA

33 826 875

Certificates

IAPMO_4976

IAPMO_6397

IAPMO_N-4976

33 826 875

Product version from 5/31/2010 to 7/25/2018

Product version from 7/25/2018 to 5/15/2020

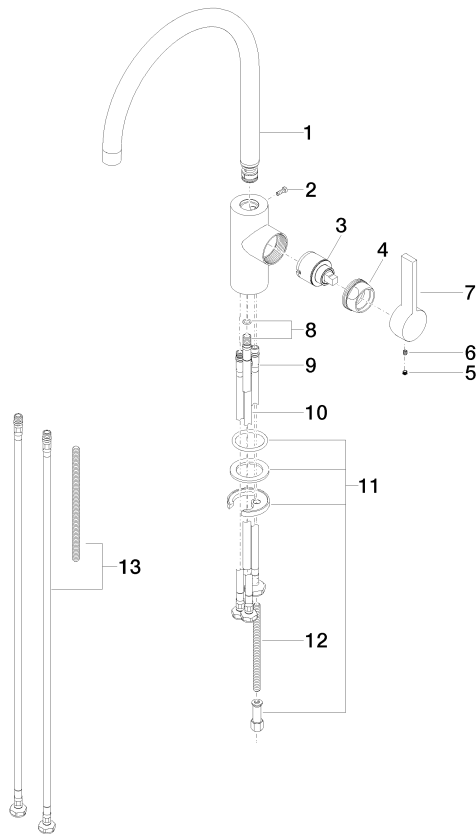
Product version from 5/15/2020 to 4/26/2021

Product version from 4/26/2021 to 5/3/2021

Product version from 5/3/2021

Product version from 6/1/2022

Parts for other
finishes can be found
here: [Chrome](#)





TARA ULTRA Single-lever mixer for rinsing/Profi spray - Brushed Platinum

TARA ULTRA

33 826 875

Spare parts list

Product version from 5/31/2010 to 7/25/2018

Product version from 7/25/2018 to 5/15/2020

Product version from 5/15/2020 to 4/26/2021

Product version from 4/26/2021 to 5/3/2021

Product version from 5/3/2021

Product version from 6/1/2022

No.	Item Number	Name	Quantity used	Delivery time
	90 28 22 202 03-06	spout	14	10