



TARA ULTRA Single-lever mixer for rinsing/Profi spray - Dark Chrome

TARA ULTRA

33 826 875



- 241mm projection
 - pivotable spout 360°
 - air-enriched flow
 - height of mixer 393 mm
 - height up to aerator 240 mm
 - single-lever mixer hole diameter 35mm
 - 2x US pressure hose, 3/8"
 - max. flow 5.7 l/min at 3 bar flow pressure
 - lead-free
 - This product can help a building meet the requirements of Green Building Rating Systems, e.g. LEED®, BREEAM®, DGNB
- Single-lever mixer for combining with rinsing/Profi spray only**

Single-lever mixer for combining with rinsing/Profi spray only

	Dark Chrome	33 826 875-19 0010
	Chrome	33 826 875-00 0010
	Brushed Platinum	33 826 875-06 0010
	Platinum	33 826 875-08 0010
	Durabronze (23kt Gold)	33 826 875-09 0010
	Brushed Durabronze (23kt Gold)	33 826 875-28 0010
	Matte Black	33 826 875-33 0010
	Brushed Champagne (22kt Gold)	33 826 875-46 0010
	Champagne (22kt Gold)	33 826 875-47 0010
	Brushed Chrome	33 826 875-93 0010
	Brushed Dark Platinum	33 826 875-99 0010

Required miscellaneous



Profi spray set - Chrome 27 789 970-00 0010

Required miscellaneous



Rinsing spray set - Chrome 27 721 970-00

Required miscellaneous



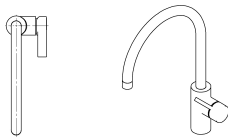
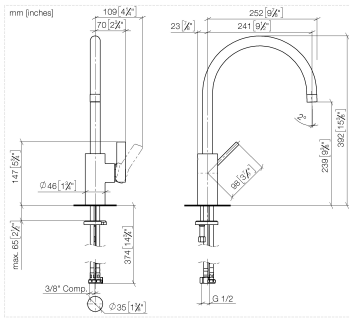
Rinsing spray set - Dark Chrome 27 721 970-19



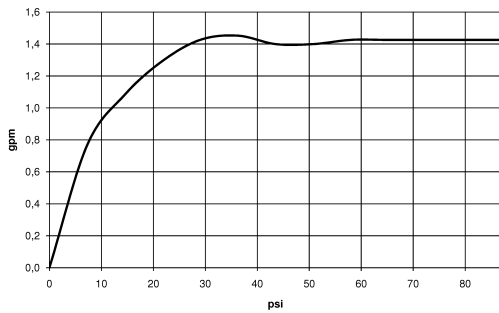
TARA ULTRA Single-lever mixer for rinsing/Profi spray - Dark Chrome

TARA ULTRA

33 826 875



Flow rate chart



Codes & Standards

ADA	ASME A112.18.1/CSA B125.1	California Energy Commission (CEC)	NSF/ANSI 372
NSF/ANSI/CAN 61	NSF372	NSF61	



TARA ULTRA Single-lever mixer for rinsing/Profi spray - Dark Chrome

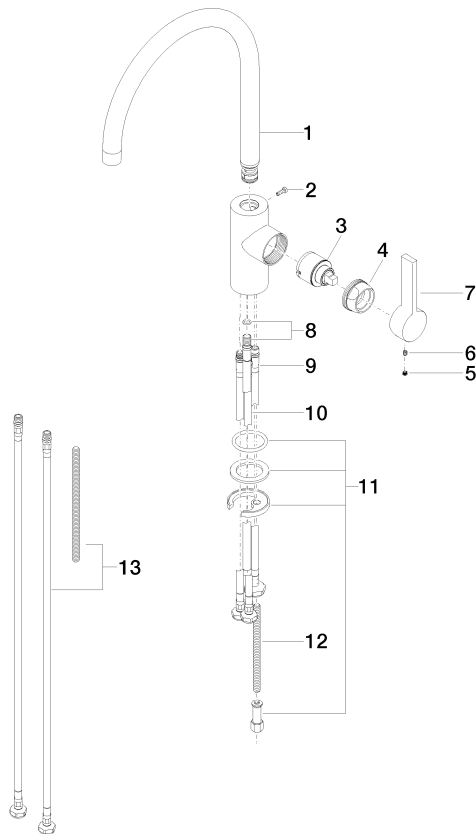
TARA ULTRA

33 826 875

Certificates

IAPMO_6397

IAPMO_N-4976





33 826 875

Spare parts list