

33 826 875



- 241mm projection
- pivotable spout 360°
- air-enriched flow
- height of mixer 393 mm
- height up to aerator 240 mm
- single-lever mixer hole diameter 35mm
- 2x US pressure hose, 3/8"
- max. flow 5.7 l/min at 3 bar flow pressure
- lead-free
- This product can help a building meet the requirements of Green Building Rating Systems, e.g. LEED®, BREEAM®, DGNB

Single-lever mixer for combining with rinsing/Profi spray only

	Matte Black	33 826 875-33 0010
	Chrome	33 826 875-00 0010
	Brushed Platinum	33 826 875-06 0010
	Platinum	33 826 875-08 0010
	Durabronze (23kt Gold)	33 826 875-09 0010
	Dark Chrome	33 826 875-19 0010
	Brushed Durabronze (23kt Gold)	33 826 875-28 0010
	Brushed Champagne (22kt Gold)	33 826 875-46 0010
	Champagne (22kt Gold)	33 826 875-47 0010
	Brushed Chrome	33 826 875-93 0010
	Brushed Dark Platinum	33 826 875-99 0010

**Required miscellaneous**



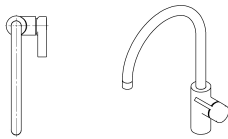
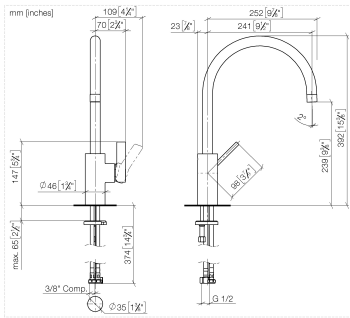
**Rinsing spray set - Matte Black** 27 721 970-33



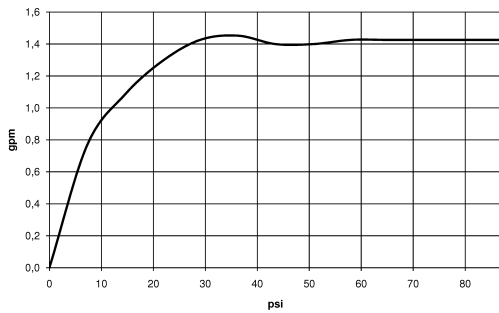
TARA ULTRA Single-lever mixer for rinsing/Profi spray - Matte Black

TARA ULTRA

33 826 875



Flow rate chart



Codes & Standards

ADA	ASME A112.18.1/CSA B125.1	California Energy Commission (CEC)	NSF/ANSI 372
NSF/ANSI/CAN 61	NSF372	NSF61	



TARA ULTRA Single-lever mixer for rinsing/Profi spray - Matte Black

TARA ULTRA

33 826 875

Certificates

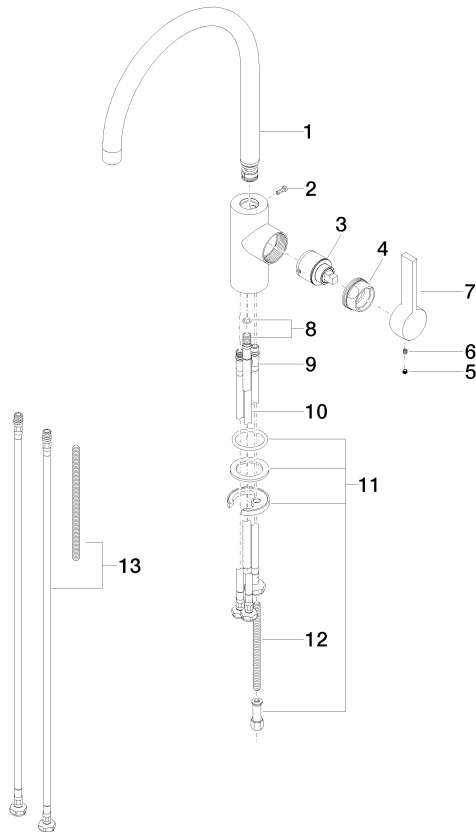
IAPMO\_6397

IAPMO\_N-4976

33 826 875

**Product version from 6/1/2022**

Parts for other finishes can be found here: Chrome





33 826 875

### Spare parts list

#### Product version from 6/1/2022

No.	Item Number	Name	Quantity used	Delivery time
	90 28 22 202 03-33	spout	14	30