

TARA Single-lever mixer for rinsing/Profi spray - Brushed Platinum

33 826 888



- 235mm projection
- pivotable spout 360°
- air-enriched flow
- height of mixer 400 mm
- height up to aerator 230 mm
- single-lever mixer hole diameter 35mm
- 2x US pressure hose, 3/8"
- max. flow 5.7 l/min at 3 bar flow pressure
- lead-free
- This product can help a building meet the requirements of Green Building Rating Systems, e.g. LEED®, BREEAM®, DGNB

Single-lever mixer for combining with rinsing/Profi spray only

	Brushed Platinum	33 826 888-06 0010
	Chrome	33 826 888-00 0010
	Platinum	33 826 888-08 0010
	Durabrand (23kt Gold)	33 826 888-09 0010
	Dark Chrome	33 826 888-19 0010
	Brushed Durabrand (23kt Gold)	33 826 888-28 0010
	Matte Black	33 826 888-33 0010
	Brushed Champagne (22kt Gold)	33 826 888-46 0010
	Champagne (22kt Gold)	33 826 888-47 0010
	Brushed Chrome	33 826 888-93 0010
	Brushed Dark Platinum	33 826 888-99 0010

Recommended miscellaneous



Profi spray set - Brushed Platinum 27 789 970-06 0010

Recommended miscellaneous

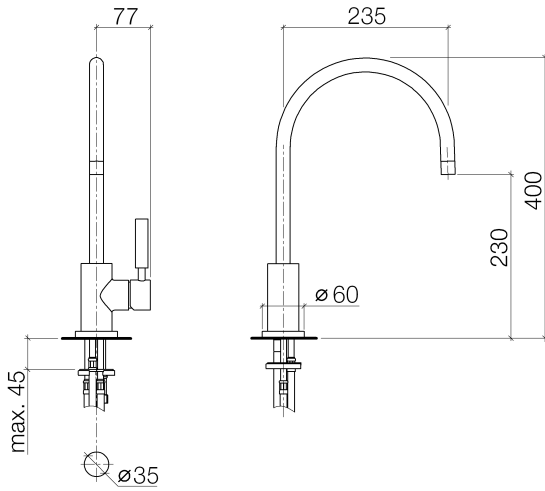


Rinsing spray set - Brushed Platinum 27 721 970-06

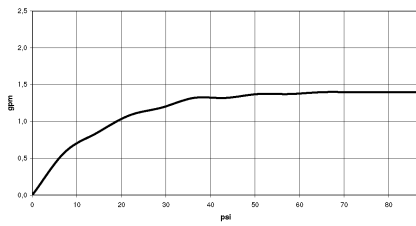


TARA Single-lever mixer for rinsing/Profi spray - Brushed Platinum

33 826 888



Flow rate chart



Codes & Standards

ADA

ASME
A112.18.1/CSA
B125.1

California Energy
Commission
(CEC)

NSF/ANSI 372

NSF/ANSI/CAN
61



TARA Single-lever mixer for rinsing/Profi spray - Brushed Platinum

33 826 888

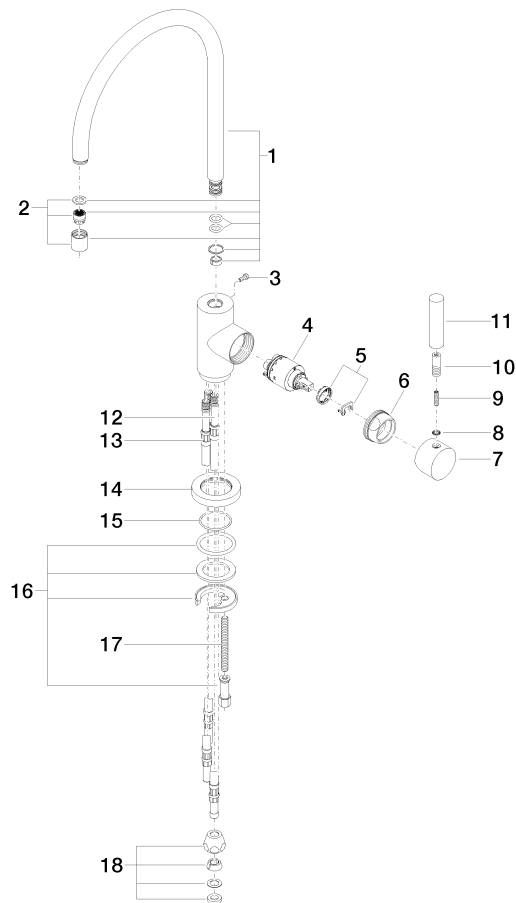
Certificates

IAPMO_N-4976 (2). IAPMO_4976 (3). IAPMO_6397 (1).

TARA Single-lever mixer for rinsing/Profi spray - Brushed Platinum

33 826 888

Parts for other finishes can be found here: [Chrome](#)



Spare parts list

No.	Item Number	Name	Quantity used	Delivery time
1	90 28 22 049 03-06	spout	1	10
2	90 23 01 028 00-06	aerator	1	10
3	09 30 30 054 90	screw	1	2
4	90 15 05 065 00 90	cartridge	1	2
5	90 28 10 148 00 90	accessories	1	2
6	09 24 04 107-06	nut	1	10
7	90 20 88 040 00-06	handle	1	10
8	90 30 11 032 00 90	disc	1	2
9	09 31 11 010 90	pin	1	2
10	90 24 04 048 00-06	nipple	1	10
11	11 170 880-06	handle	1	10
12	04 30 04 064 00 90	hose	1	60
13	04 30 04 044 00 90	hose	2	60
14	09 28 10 055-06	rosette	1	10
15	09 14 10 034 90	seal	1	2
16	04 30 11 038 00 90	fixing set	1	2
17	09 31 11 011 90	pin	1	2
18	90 23 30 040 00-06	threaded connector	1	10