

TARA Single-lever mixer for rinsing/Profi spray - Dark Chrome

33 826 888




- 235mm projection
- pivotable spout 360°
- air-enriched flow
- height of mixer 400 mm
- height up to aerator 230 mm
- single-lever mixer hole diameter 35mm
- 2x US pressure hose, 3/8"
- max. flow 5.7 l/min at 3 bar flow pressure
- lead-free
- This product can help a building meet the requirements of Green Building Rating Systems, e.g. LEED®, BREEAM®, DGNB


Single-lever mixer for combining with rinsing/Profi spray only

	Dark Chrome	33 826 888-19 0010
	Chrome	33 826 888-00 0010
	Brushed Platinum	33 826 888-06 0010
	Platinum	33 826 888-08 0010
	Durabrass (23kt Gold)	33 826 888-09 0010
	Brushed Durabrass (23kt Gold)	33 826 888-28 0010
	Matte Black	33 826 888-33 0010
	Brushed Champagne (22kt Gold)	33 826 888-46 0010
	Champagne (22kt Gold)	33 826 888-47 0010
	Brushed Chrome	33 826 888-93 0010
	Brushed Dark Platinum	33 826 888-99 0010


Recommended miscellaneous

	Profi spray set - Chrome	27 789 970-00 0010
---	---------------------------------	--------------------

Recommended miscellaneous

	Rinsing spray set - Chrome	27 721 970-00
---	-----------------------------------	---------------

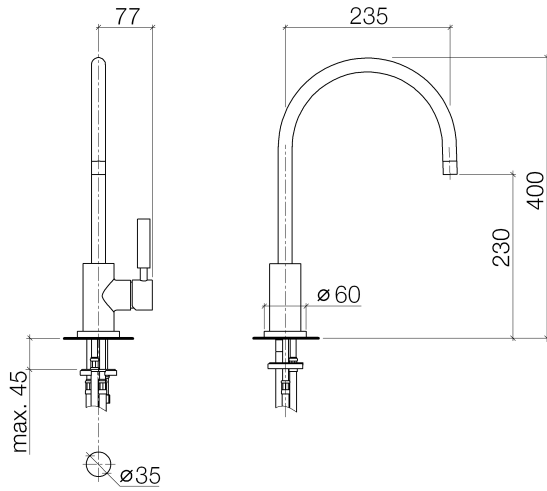
Recommended miscellaneous

	Rinsing spray set - Dark Chrome	27 721 970-19
---	--	---------------

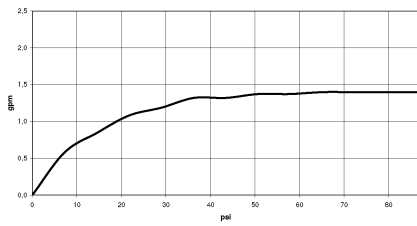


TARA Single-lever mixer for rinsing/Profi spray - Dark Chrome

33 826 888



Flow rate chart



Codes & Standards

ADA

ASME
A112.18.1/CSA
B125.1

California Energy
Commission
(CEC)

NSF/ANSI 372

NSF/ANSI/CAN
61



TARA Single-lever mixer for rinsing/Profi spray - Dark Chrome

33 826 888

Certificates

IAPMO_N-4976 (2). IAPMO_6397 (1).

TARA Single-lever mixer for rinsing/Profi spray - Dark Chrome

33 826 888

