

33 840 790



- 235mm projection
- pivotable spout 360°
- air-enriched flow
- height of mixer 337 mm
- height up to aerator 300 mm
- hole diameter 35 mm
- 2 x pressure hose with 3/8" cap nut
- fabric braided hose 1500 mm
- max. flow 5.7 l/min at 3 bar flow pressure
- lead-free
- This product can help a building meet the requirements of Green Building Rating Systems, e.g. LEED®, BREEAM®, DGNB

Not possible in combination with rinsing spray.

	Brushed Platinum	33 840 790-06 0010
	Chrome	33 840 790-00 0010
	Platinum	33 840 790-08 0010
	Dark Chrome	33 840 790-19 0010
	Brushed Durabronze (23kt Gold)	33 840 790-28 0010
	Brushed Champagne (22kt Gold)	33 840 790-46 0010
	Champagne (22kt Gold)	33 840 790-47 0010
	Brushed Chrome	33 840 790-93 0010
	Brushed Dark Platinum	33 840 790-99 0010

Recommended miscellaneous

**AIR SWITCH Control button -
Brushed Platinum** 10 713 970-06

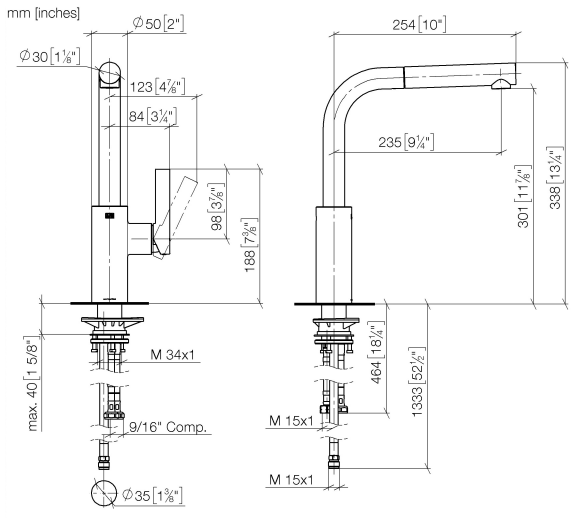


Recommended miscellaneous

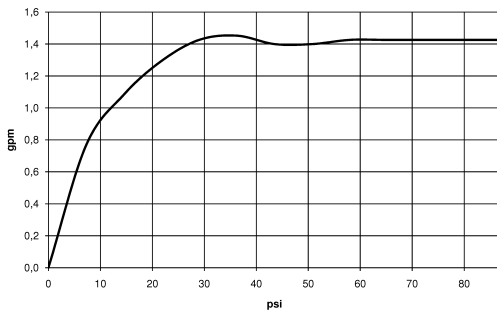
**Dispenser without rosette -
Brushed Platinum** 82 424 970-06



33 840 790



Flow rate chart



Codes & Standards

ADA

ASME
A112.18.1/CSA
B125.1

California Energy
Commission
(CEC)

NSF/ANSI 372

NSF/ANSI/CAN
61



ELIO Single-lever mixer Pull-out - Brushed Platinum

ELIO

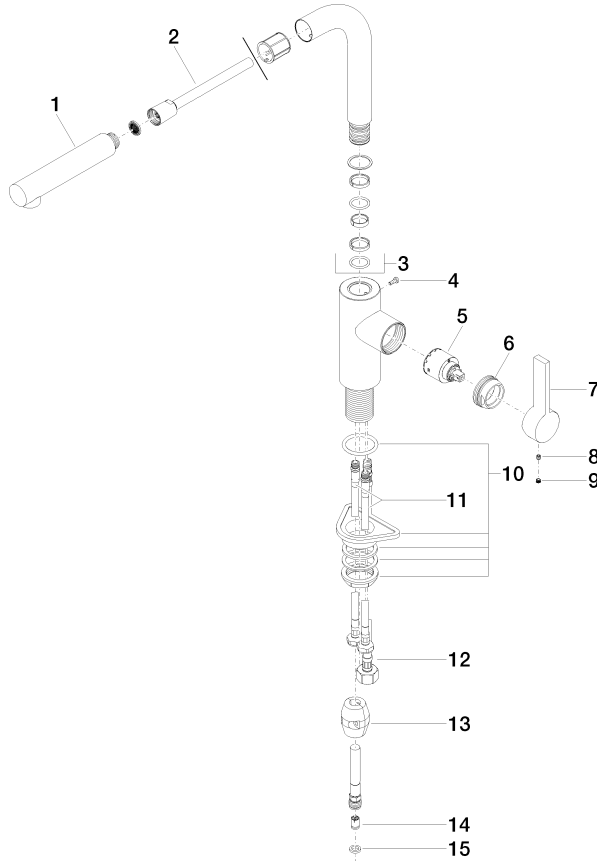
33 840 790

Certificates

IAPMO_6397 (1).

33 840 790

Parts for other finishes can be found here: [Chrome](#)



Spare parts list

No.	Item Number	Name	Quantity used	Delivery time
1	04 12 11 106 00-06	shower	1	10
2	90 30 02 062 00-06	hose	1	10
3	90 28 22 186 00-06	spout	1	10
4	09 30 30 054 90	screw	1	2
5	90 15 05 045 00 90	cartridge	1	2
6	09 24 04 141-06	nut	1	10
7	09 20 79 040-06	handle	1	10
8	90 31 11 030 00 90	pin	1	2
9	90 31 20 109 00 90	plug	1	2
10	04 23 10 044 02 90	fixing set	1	2
11	04 30 04 106 00 90	hose	1	2
12	04 30 04 029 00 90	hose	1	2
13	04 21 50 005 00 90	accessories	1	2
14	09 23 01 096 90	back-flow preventer	1	2
15	90 14 20 019 00 90	seal	1	2