

33 840 790 Product version from 6/1/2022



- 235mm projection
- pivotable spout 360°
- air-enriched flow
- height of mixer 337 mm
- height up to aerator 300 mm
- hole diameter 35 mm
- 2 x pressure hose with 3/8" cap nut
- fabric braided hose 1500 mm
- max. flow 5.7 l/min at 3 bar flow pressure
- lead-free
- This product can help a building meet the requirements of Green Building Rating Systems, e.g. LEED®, BREEAM®, DGNB

Not possible in combination with rinsing spray.

	Brushed Bronze	33 840 790-42 0010
	Chrome	33 840 790-00 0010
	Brushed Platinum	33 840 790-06 0010
	Platinum	33 840 790-08 0010
	Dark Chrome	33 840 790-19 0010
	Brushed Durabronze (23kt Gold)	33 840 790-28 0010
	Brushed Champagne (22kt Gold)	33 840 790-46 0010
	Champagne (22kt Gold)	33 840 790-47 0010
	Brushed Chrome	33 840 790-93 0010
	Brushed Dark Platinum	33 840 790-99 0010

Recommended miscellaneous

AIR SWITCH Control button - 10 713 970-42
Brushed Bronze

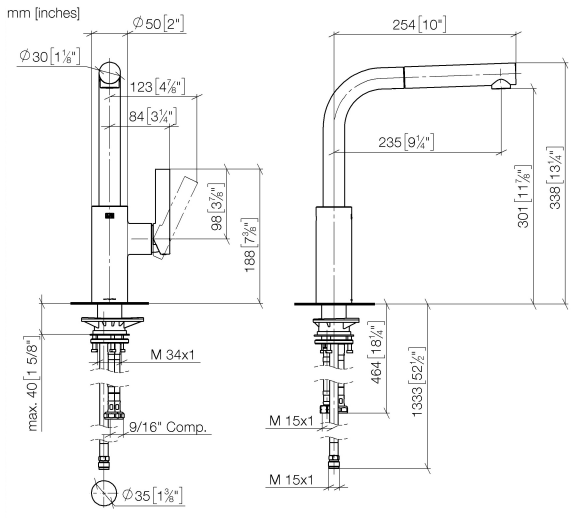


Recommended miscellaneous

Dispenser without rosette - 82 424 970-42
Brushed Bronze



33 840 790 Product version from 6/1/2022



Flow rate chart



Codes & Standards

ADA	ASME A112.18.1/CSA B125.1	California Energy Commission (CEC)	NSF/ANSI 372
NSF/ANSI/CAN 61	NSF372		



ELIO Single-lever mixer Pull-out - Brushed Bronze

ELIO

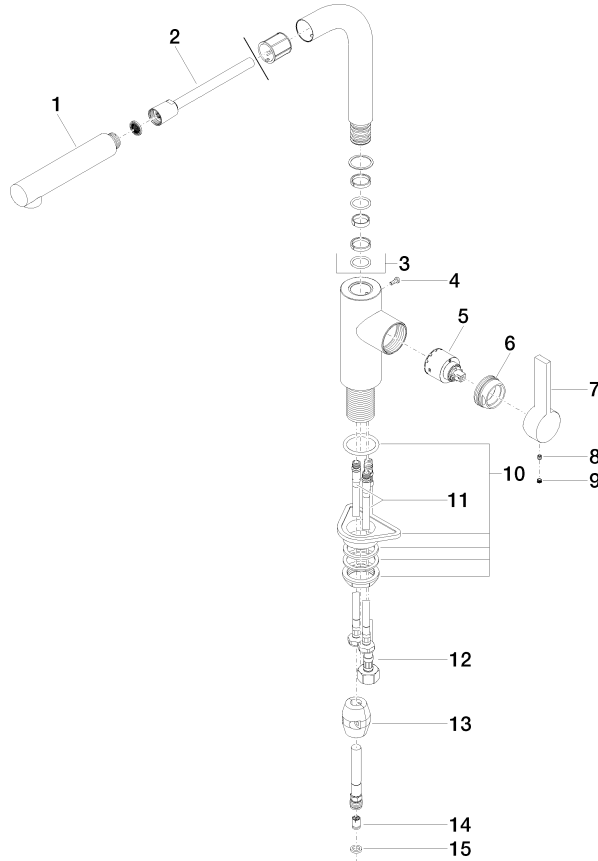
33 840 790 Product version from 6/1/2022

Certificates

IAPMO_6397

33 840 790 Product version from 6/1/2022

Parts for other finishes can be found here: [Chrome](#)



Spare parts list

No.	Item Number	Name	Quantity used	Delivery time
1	04 12 11 106 00-42	shower	1	60
2	90 30 02 062 00-42	hose	1	30
3	90 28 22 186 00-42	spout	1	30
4	09 30 30 054 90	screw	1	2
5	90 15 05 045 00 90	cartridge	1	2
6	09 24 04 141-42	nut	1	60
7	09 20 79 040-42	handle	1	60
8	90 31 11 030 00 90	pin	1	2
9	90 31 20 109 00 90	plug	1	2
10	04 23 10 044 02 90	fixing set	1	2
11	04 30 04 106 00 90	hose	1	2
12	04 30 04 029 00 90	hose	1	2
13	04 21 50 005 00 90	accessories	1	2
14	09 23 01 096 90	back-flow preventer	1	2
15	90 14 20 019 00 90	seal	1	2