

33 870 760



- 225mm projection
- pivotable spout 130°
- laminar and spray flow
- height of mixer 167 mm
- height up to aerator 137 mm
- hole diameter 35 mm
- 2 x pressure hose with 3/8" cap nut
- fabric braided hose 1500 mm
- max. flow 5.7 l/min at 3 bar flow pressure
- lead-free
- This product can help a building meet the requirements of Green Building Rating Systems, e.g. LEED®, BREEAM®, DGNB

Intrinsic protection against back flow.

Push button locks into spray mode when pressed. To switch back to aerator mode the water must be turned off.

	Platinum	33 870 760-08 0010
	Chrome	33 870 760-00 0010
	Brushed Platinum	33 870 760-06 0010
	Dark Chrome	33 870 760-19 0010
	Brushed Durabronze (23kt Gold)	33 870 760-28 0010
	Brushed Champagne (22kt Gold)	33 870 760-46 0010
	Champagne (22kt Gold)	33 870 760-47 0010
	Brushed Chrome	33 870 760-93 0010
	Brushed Dark Platinum	33 870 760-99 0010

**Recommended miscellaneous**

**AIR SWITCH Control button - Platinum** 10 713 970-08

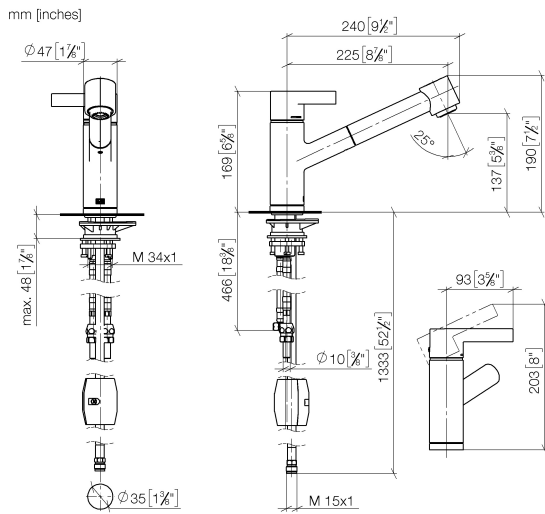


**Recommended miscellaneous**

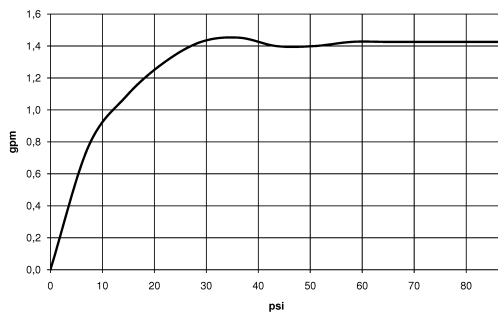
**Dispenser without rosette - Platinum** 82 424 970-08



33 870 760



**Flow rate chart**



**Codes & Standards**

ADA

ASME  
A112.18.1/CSA  
B125.1

California Energy  
Commission  
(CEC)

NSF/ANSI 372

NSF/ANSI/CAN  
61



## ENO Single-lever mixer Pull-out with spray function - Platinum

---

ENO

33 870 760

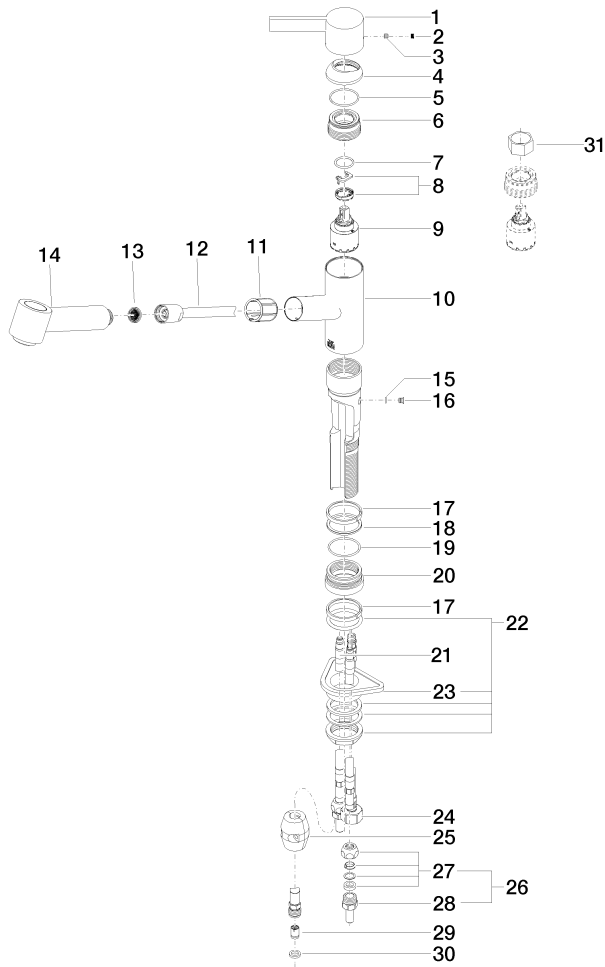
### Certificates

---

IAPMO\_N-4976 (2). IAPMO\_6397 (1).

33 870 760

Parts for other finishes can be found here: [Chrome](#)



33 870 760

Spare parts list

No.	Item Number	Name	Quantity used	Delivery time
1	09 20 76 001-08	handle	1	40
2	90 31 20 109 00 90	plug	1	2
3	90 31 11 030 00 90	pin	1	2
4	09 28 30 012-08	cover	1	40
5	09 14 10 102 90	seal	1	2
6	09 24 04 270 90	nut	1	2
7	09 14 10 031 90	seal	1	2
8	90 28 10 148 00 90	accessories	1	2
9	90 15 05 064 00 90	cartridge	1	2
10	09 19 76 009-08	sleeve	1	40
11	09 18 40 099 90	sleeve	1	2
12	90 30 02 062 00-08	hose	1	40
13	09 23 01 039 90	sieve	1	2
14	04 12 11 102 00-08	shower	1	40
15	09 14 10 001 90	seal	1	2
16	09 30 30 113 20 90	screw	1	2
17	09 14 15 029 90	ring	2	2
18	09 28 10 144 90	ring	1	2
19	09 14 10 034 90	seal	1	2
20	09 27 76 001-08	rosette	1	40
21	04 30 04 018 00 90	hose	2	60
22	04 23 10 044 02 90	fixing set	1	2
23	09 18 40 090 90	sleeve	1	2
24	04 30 04 019 00 90	hose	1	2
25	04 21 50 005 00 90	accessories	1	2
26	04 24 04 222 00-08	adaptor	1	-
Spare part can no longer be ordered, please order the replacement item				
27	04 23 30 031 01-07	threaded connector	2	60
28	09 24 04 222 10-08	adaptor	2	-
Spare part can no longer be ordered, please order the replacement item				
29	09 23 01 096 90	back-flow preventer	1	2
30	90 14 20 019 00 90	seal	1	2
31	90 30 09 031 00 90	key	1	2