

33 870 760



- 225mm projection
- pivotable spout 130°
- laminar and spray flow
- height of mixer 167 mm
- height up to aerator 137 mm
- hole diameter 35 mm
- 2 x pressure hose with 3/8" cap nut
- fabric braided hose 1500 mm
- max. flow 5.7 l/min at 3 bar flow pressure
- lead-free
- This product can help a building meet the requirements of Green Building Rating Systems, e.g. LEED®, BREEAM®, DGNB

Intrinsic protection against back flow.

Push button locks into spray mode when pressed. To switch back to aerator mode the water must be turned off.

	Dark Chrome	33 870 760-19 0010
	Chrome	33 870 760-00 0010
	Brushed Platinum	33 870 760-06 0010
	Platinum	33 870 760-08 0010
	Brushed Durabross (23kt Gold)	33 870 760-28 0010
	Brushed Champagne (22kt Gold)	33 870 760-46 0010
	Champagne (22kt Gold)	33 870 760-47 0010
	Brushed Chrome	33 870 760-93 0010
	Brushed Dark Platinum	33 870 760-99 0010

Recommended miscellaneous

AIR SWITCH Control button - Chrome 10 713 970-00



Recommended miscellaneous

Dispenser without rosette - Chrome 82 424 970-00



Recommended miscellaneous

Dispenser without rosette - Dark Chrome 82 424 970-19

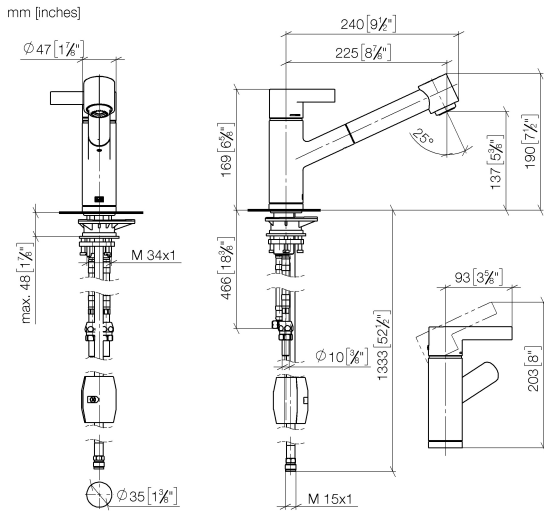


Recommended miscellaneous

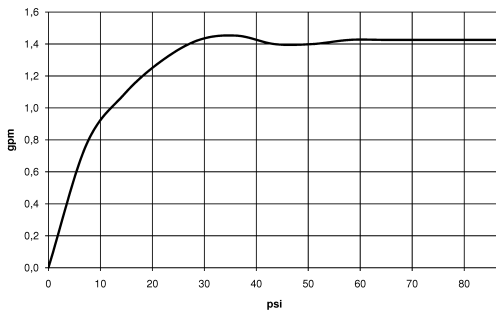
AIR SWITCH Control button - Dark Chrome 10 713 970-19



33 870 760



Flow rate chart



Codes & Standards

ADA

ASME
A112.18.1/CSA
B125.1

California Energy
Commission
(CEC)

NSF/ANSI 372

NSF/ANSI/CAN
61



ENO Single-lever mixer Pull-out with spray function - Dark Chrome

ENO

33 870 760

Certificates

IAPMO_N-4976 (2). IAPMO_6397 (1).

33 870 760

