

33 870 760



- 225mm projection
- pivotable spout 130°
- laminar and spray flow
- height of mixer 167 mm
- height up to aerator 137 mm
- hole diameter 35 mm
- 2 x pressure hose with 3/8" cap nut
- fabric braided hose 1500 mm
- max. flow 5.7 l/min at 3 bar flow pressure
- lead-free
- This product can help a building meet the requirements of Green Building Rating Systems, e.g. LEED®, BREEAM®, DGNB

Intrinsic protection against back flow.

Push button locks into spray mode when pressed. To switch back to aerator mode the water must be turned off.

| | | |
|--|--------------------------------|--------------------|
|  | Champagne (22kt Gold) | 33 870 760-47 0010 |
|  | Chrome | 33 870 760-00 0010 |
|  | Brushed Platinum | 33 870 760-06 0010 |
|  | Platinum | 33 870 760-08 0010 |
|  | Dark Chrome | 33 870 760-19 0010 |
|  | Brushed Durabronze (23kt Gold) | 33 870 760-28 0010 |
|  | Brushed Champagne (22kt Gold) | 33 870 760-46 0010 |
|  | Brushed Chrome | 33 870 760-93 0010 |
|  | Brushed Dark Platinum | 33 870 760-99 0010 |

Recommended miscellaneous

Dispenser without rosette - Champagne (22kt Gold) 82 424 970-47

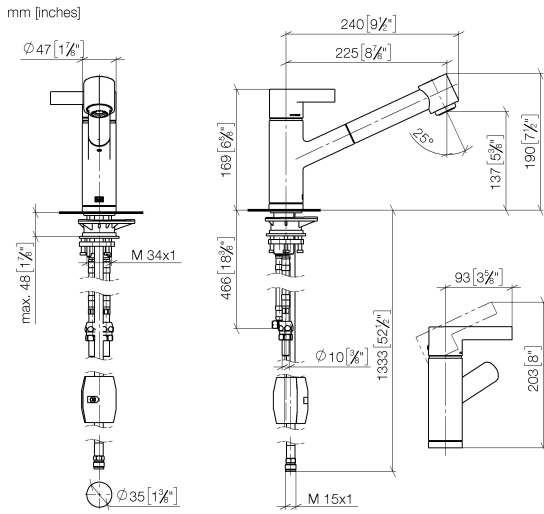


Recommended miscellaneous

AIR SWITCH Control button - Champagne (22kt Gold) 10 713 970-47



33 870 760



Flow rate chart



Codes & Standards

ADA

ASME
A112.18.1/CSA
B125.1

California Energy
Commission
(CEC)

NSF/ANSI 372

NSF/ANSI/CAN
61



ENO Single-lever mixer Pull-out with spray function - Champagne (22kt Gold)

ENO

33 870 760

Certificates

IAPMO_N-4976 (2). IAPMO_6397 (1).

33 870 760

Parts for other
finishes can be found
here: [Chrome](#)

