

33 870 809 Product version from 7/1/2023



- 240mm projection
- pivotable spout 360°
- Optional swivel limiter available with swivel limiter set 12 823 970 90
- air-enriched flow and spray flow
- height of mixer 416 mm
- height up to laminar flow regulator 228 mm
- hole diameter 35 mm
- 2 x pressure hose with 3/8" cap nut
- 1800 mm metal shower hose
- sprayface with anti-scaling system
- max. flow 5.7 l/min at 3 bar flow pressure
- lead-free
- Flow modes can be changed while the water is running
- This product can help a building meet the requirements of Green Building Rating Systems, e.g. LEED®, BREEAM®, DGNB

Intrinsic protection against back flow.

Switch back and forth between aerator and spray mode while water is running.

	Brushed Bronze	33 870 809-42 0010
	Chrome	33 870 809-00 0010
	Brushed Platinum	33 870 809-06 0010
	Platinum	33 870 809-08 0010
	Durabronze (23kt Gold)	33 870 809-09 0010
	Dark Chrome	33 870 809-19 0010
	Brushed Durabronze (23kt Gold)	33 870 809-28 0010
	Matte Black	33 870 809-33 0010
	Brushed Champagne (22kt Gold)	33 870 809-46 0010
	Champagne (22kt Gold)	33 870 809-47 0010
	Brushed Chrome	33 870 809-93 0010
	Brushed Dark Platinum	33 870 809-99 0010

**Recommended miscellaneous**

**Swivel limitation set -**

12 823 970 90



**Recommended miscellaneous**

**VAIA Dispenser with rosette -  
Brushed Bronze**

82 434 809-42

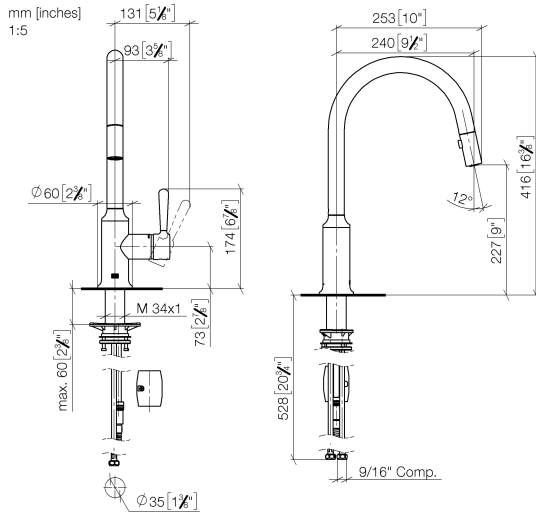


**Recommended miscellaneous**

**VAIA AIR SWITCH Control button - 10 713 809-42  
Brushed Bronze**



33 870 809 Product version from 7/1/2023



Flow rate chart



Codes & Standards

ASME A112.18.1	California Energy Commission (CEC)	cUPC	NSF372
NSF61			



## VAIA Single-lever mixer Pull-down with spray function - Brushed Bronze

---

VAIA

33 870 809 Product version from 7/1/2023

### Certificates

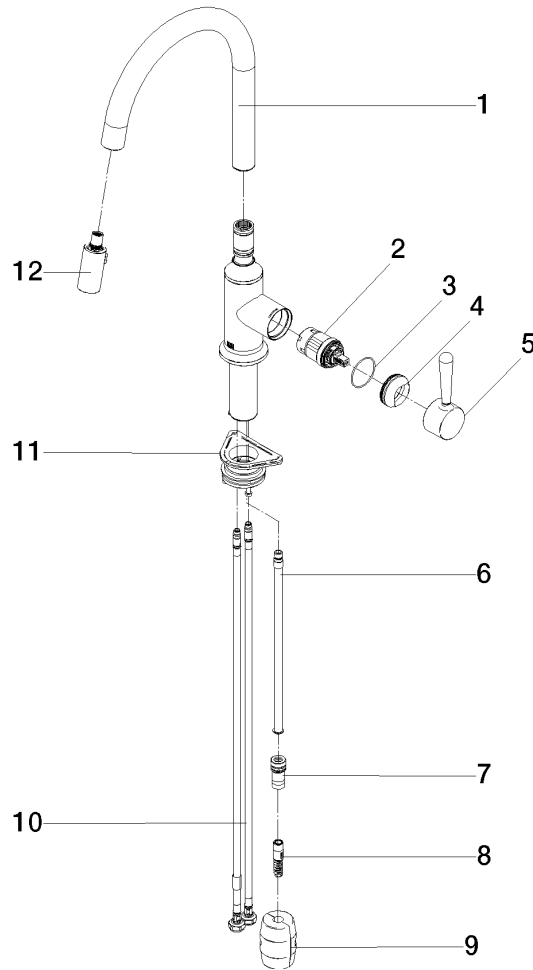
---

IAPMO\_N-4976

IAPMO\_6397

IAPMO\_4976

33 870 809 Product version from 7/1/2023



Spare parts list

No.	Item Number	Name	Quantity used	Delivery time
1	90 28 22 397 00-42	spout	1	30
2	90 15 05 064 05 90	cartridge	1	2
3	09 14 10 190 90	seal	1	2
4	09 28 30 030-42	cover	1	60
5	90 20 80 052 00-42	handle	1	30
6	04 28 20 067 00 90	pipe	1	2
7	90 24 03 253 01 90	adaptor	1	2
8	04 30 02 120 00-85	hose	1	30
9	04 21 50 010 00 90	accessories	1	2
10	04 30 04 103 00 90	hose	2	2
11	04 30 11 040 00 90	fixing set	1	2
12	90 18 40 317 00-42	shower	1	30