

**TARA ULTRA Single-lever mixer Pull-down with spray function - Brushed Durabron (23kt Gold)**

TARA ULTRA

33 870 875



- 240mm projection
- pivotable spout 360°
- Optional swivel limiter available with swivel limiter set 12 823 970 90
- laminar and spray flow
- height of mixer 500 mm
- height up to laminar flow regulator 240 mm
- hole diameter 35 mm
- 2 x pressure hose with 3/8" cap nut
- 1800 mm metal shower hose
- sprayface with anti-scaling system
- max. flow 5.7 l/min at 3 bar flow pressure
- lead-free
- This product can help a building meet the requirements of Green Building Rating Systems, e.g. LEED®, BREEAM®, DGNB

Intrinsic protection against back flow.

Push button locks into spray mode when pressed. To switch back to laminar flow the water must be turned off.

|   |                               |                    |
|---|-------------------------------|--------------------|
|    | Brushed Durabron (23kt Gold)  | 33 870 875-28 0010 |
|    | Chrome                        | 33 870 875-00 0010 |
|    | Brushed Platinum              | 33 870 875-06 0010 |
|    | Platinum                      | 33 870 875-08 0010 |
|    | Durabron (23kt Gold)          | 33 870 875-09 0010 |
|    | Dark Chrome                   | 33 870 875-19 0010 |
|    | Matte Black                   | 33 870 875-33 0010 |
|    | Brushed Champagne (22kt Gold) | 33 870 875-46 0010 |
|    | Champagne (22kt Gold)         | 33 870 875-47 0010 |
|   | Brushed Chrome                | 33 870 875-93 0010 |
|  | Brushed Dark Platinum         | 33 870 875-99 0010 |

**Recommended miscellaneous**

**Swivel limitation set -** 12 823 970 90



**Recommended miscellaneous**

**AIR SWITCH Control button -** 10 713 970-28  
**Brushed Durabron (23kt Gold)**



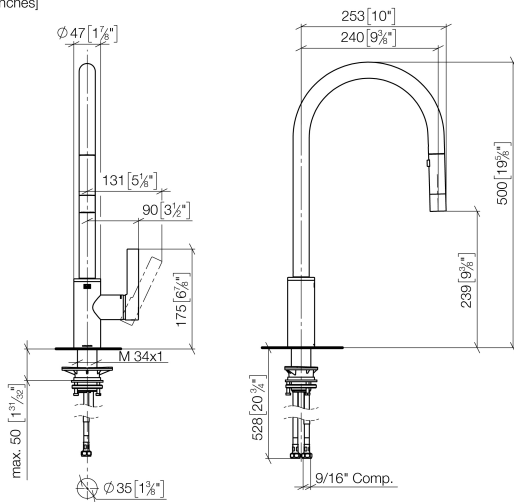
**Recommended miscellaneous**

**Dispenser without rosette -** 82 424 970-28  
**Brushed Durabron (23kt Gold)**

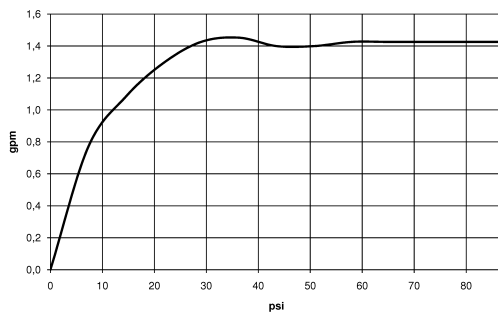


33 870 875

mm [inches]



**Flow rate chart**



**Codes & Standards**

ADA

ASME  
A112.18.1/CSA  
B125.1

California Energy  
Commission  
(CEC)

NSF/ANSI 372

NSF/ANSI/CAN  
61



TARA ULTRA Single-lever mixer Pull-down with spray function - Brushed  
Durabronz (23kt Gold)

---

TARA ULTRA

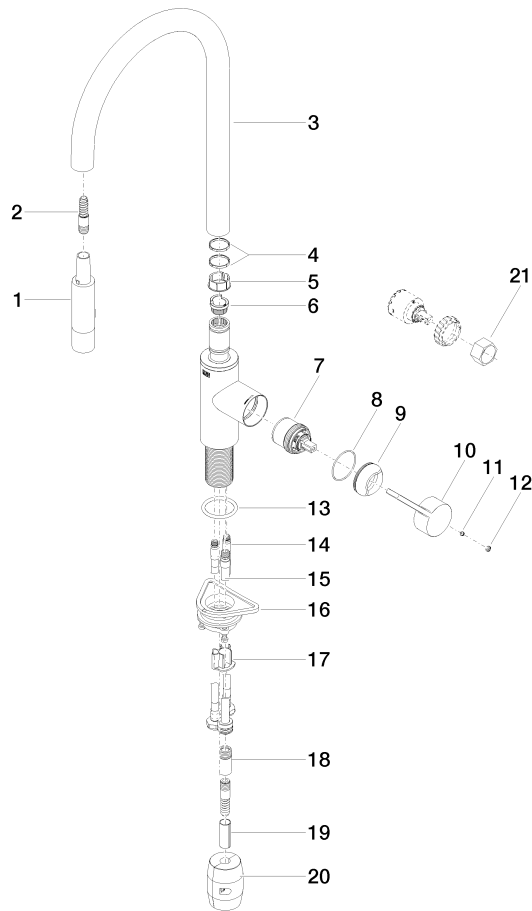
33 870 875

Certificates

---

IAPMO\_N-4976 (2). IAPMO\_6397 (1).

33 870 875



### Spare parts list

| No. | Item Number        | Name        | Quantity used | Delivery time |
|-----|--------------------|-------------|---------------|---------------|
| 1   | 90 12 11 148 00-28 | shower      | 1             | 20            |
| 2   | 04 30 02 120 00-85 | hose        | 1             | 30            |
| 3   | 90 28 22 304 00-28 | spout       | 1             | 20            |
| 4   | 09 28 10 160 90    | ring        | 2             | 2             |
| 5   | 09 18 40 186 90    | sleeve      | 1             | 2             |
| 6   | 09 30 11 203 90    | ring        | 1             | 2             |
| 7   | 90 15 05 064 05 90 | cartridge   | 1             | 2             |
| 8   | 09 14 10 190 90    | seal        | 1             | 2             |
| 9   | 09 28 30 030-28    | cover       | 1             | 20            |
| 10  | 09 20 87 020-28    | handle      | 1             | 20            |
| 11  | 90 31 11 063 00 90 | pin         | 1             | 2             |
| 12  | 90 31 20 087 00-28 | plug        | 1             | 20            |
| 13  | 09 14 10 036 90    | seal        | 1             | 2             |
| 14  | 04 30 04 103 00 90 | hose        | 2             | 2             |
| 15  | 04 28 20 067 00 90 | pipe        | 1             | 2             |
| 16  | 04 30 11 040 00 90 | fixing set  | 1             | 2             |
| 17  | 09 20 93 056 90    | insert      | 1             | 2             |
| 18  | 90 24 03 253 01 90 | adaptor     | 1             | 2             |
| 19  | 09 30 03 038 90    | hose        | 1             | 2             |
| 20  | 04 21 50 010 00 90 | accessories | 1             | 2             |
| 21  | 90 30 09 031 00 90 | key         | 1             | 2             |