


33 870 888



- 240mm projection
- pivotable spout 360°
- Optional swivel limiter available with swivel limiter set 12 823 970 90
- laminar and spray flow
- height of mixer 509 mm
- height up to laminar flow regulator 248 mm
- hole diameter 35 mm
- 2 x pressure hose with 3/8" cap nut
- 1800 mm metal shower hose
- sprayface with anti-scaling system
- max. flow 5.7 l/min at 3 bar flow pressure
- lead-free
- This product can help a building meet the requirements of Green Building Rating Systems, e.g. LEED®, BREEAM®, DGNB

Intrinsic protection against back flow.

Push button locks into spray mode when pressed. To switch back to laminar flow the water must be turned off.

	Chrome	33 870 888-00 0010
	Brushed Platinum	33 870 888-06 0010
	Platinum	33 870 888-08 0010
	Durabrace (23kt Gold)	33 870 888-09 0010
	Dark Chrome	33 870 888-19 0010
	Brushed Durabrace (23kt Gold)	33 870 888-28 0010
	Matte Black	33 870 888-33 0010
	Brushed Champagne (22kt Gold)	33 870 888-46 0010
	Champagne (22kt Gold)	33 870 888-47 0010
	Brushed Chrome	33 870 888-93 0010
	Brushed Dark Platinum	33 870 888-99 0010

Recommended miscellaneous

Swivel limitation set -

12 823 970 90



Recommended miscellaneous

AIR SWITCH Control button - Chrome

10 713 970-00



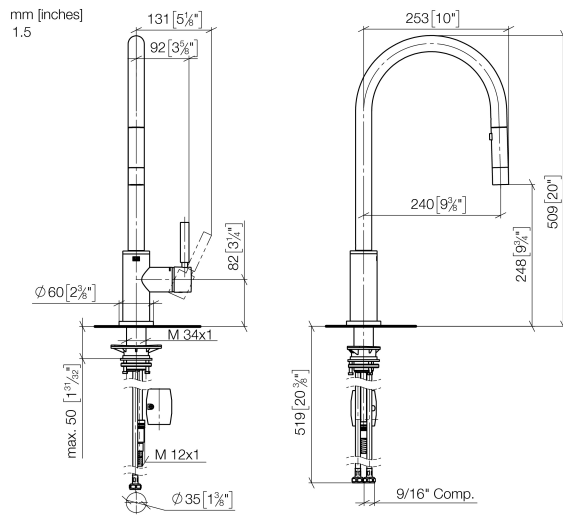
Recommended miscellaneous

Dispenser with rosette - Chrome

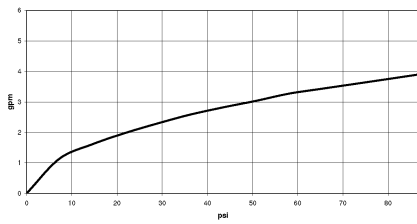
82 444 970-00



33 870 888



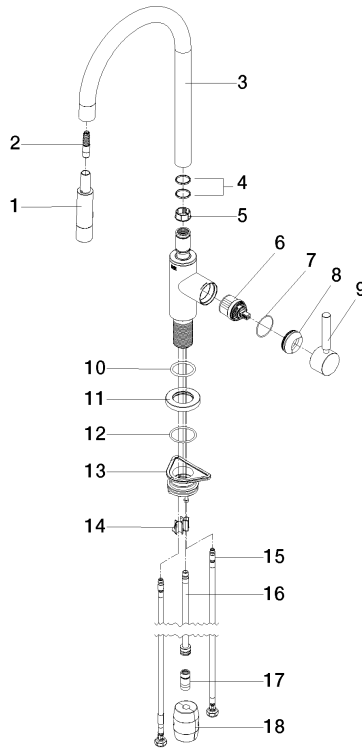
Flow rate chart



Codes & Standards

California Energy  
Commission  
(CEC)

33 870 888



### Spare parts list

No.	Item Number	Name	Quantity used	Delivery time
1	90 12 11 148 00-00	shower	1	10
2	04 30 02 120 00-00	hose	1	10
3	90 28 22 304 00-00	spout	1	10
4	09 28 10 160 90	ring	2	2
5	09 18 40 186 90	sleeve	1	2
6	90 15 05 064 05 90	cartridge	1	2
7	09 14 10 190 90	seal	1	2
8	09 28 30 030-00	cover	1	10
9	90 20 66 027 00-00	handle	1	10
10	09 14 10 036 90	seal	1	2
11	90 27 22 047 00-00	rosette	1	-
Spare part can no longer be ordered, please order the replacement item				
12	09 14 10 050 90	seal	1	2
13	04 30 11 040 00 90	fixing set	1	2
14	09 20 93 056 90	insert	1	2
15	04 30 04 103 00 90	hose	2	2
16	04 28 20 067 00 90	pipe	1	2
17	90 24 03 253 01 90	adaptor	1	2
18	04 21 50 010 00 90	accessories	1	2