

33 870 888



- 240mm projection
- pivotable spout 360°
- Optional swivel limiter available with swivel limiter set 12 823 970 90
- laminar and spray flow
- height of mixer 509 mm
- height up to laminar flow regulator 248 mm
- hole diameter 35 mm
- 2 x pressure hose with 3/8" cap nut
- 1800 mm metal shower hose
- sprayface with anti-scaling system
- max. flow 5.7 l/min at 3 bar flow pressure
- lead-free
- This product can help a building meet the requirements of Green Building Rating Systems, e.g. LEED®, BREEAM®, DGNB

Intrinsic protection against back flow.

Push button locks into spray mode when pressed. To switch back to laminar flow the water must be turned off.

|  |                               |                    |
|--|-------------------------------|--------------------|
|  | Dark Chrome                   | 33 870 888-19 0010 |
|  | Chrome                        | 33 870 888-00 0010 |
|  | Brushed Platinum              | 33 870 888-06 0010 |
|  | Platinum                      | 33 870 888-08 0010 |
|  | Durabrand (23kt Gold)         | 33 870 888-09 0010 |
|  | Brushed Durabrand (23kt Gold) | 33 870 888-28 0010 |
|  | Matte Black                   | 33 870 888-33 0010 |
|  | Brushed Champagne (22kt Gold) | 33 870 888-46 0010 |
|  | Champagne (22kt Gold)         | 33 870 888-47 0010 |
|  | Brushed Chrome                | 33 870 888-93 0010 |
|  | Brushed Dark Platinum         | 33 870 888-99 0010 |

Recommended miscellaneous

Swivel limitation set -

12 823 970 90



Recommended miscellaneous

Dispenser with rosette - Dark Chrome

82 444 970-19

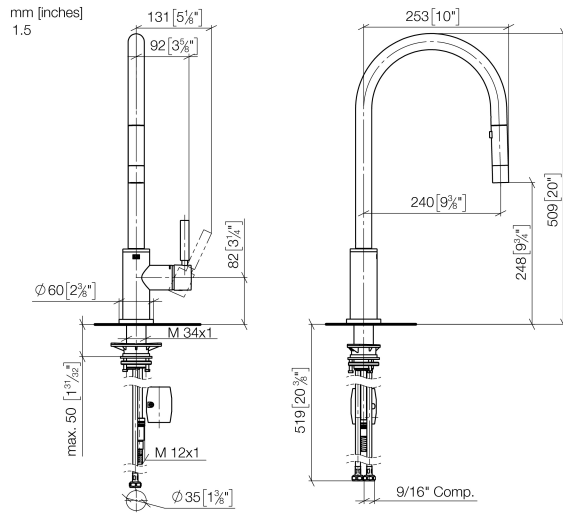


Recommended miscellaneous

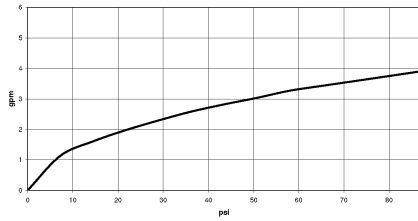
AIR SWITCH Control button - Dark Chrome 10 713 970-19



33 870 888



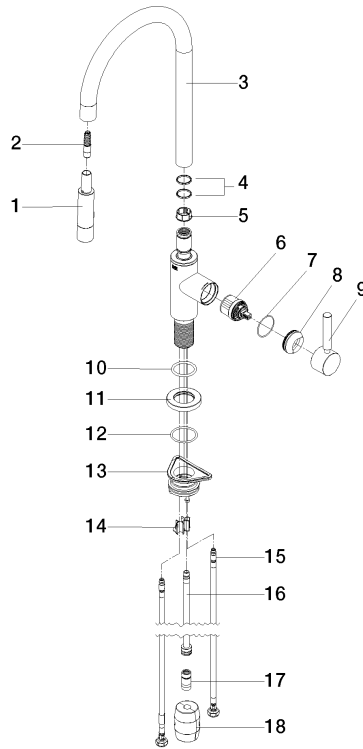
Flow rate chart



Codes & Standards

California Energy  
Commission  
(CEC)

33 870 888





## TARA Single-lever mixer Pull-down with spray function - Dark Chrome

TARA

33 870 888

### Spare parts list

| No.  | Item Number        | Name        | Quantity used | Delivery time |
|--|--------------------|-------------|---------------|---------------|
| 1  | 90 12 11 148 00-19 | shower      | 1             | -             |
| Spare part can no longer be ordered, please order the replacement item |                    |             |               |               |
| 2  | 04 30 02 120 00-85 | hose        | 1             | 30            |
| 3  | 90 28 22 304 00-19 | spout       | 1             | 20            |
| 4  | 09 28 10 160 90    | ring        | 2             | 2             |
| 5  | 09 18 40 186 90    | sleeve      | 1             | 2             |
| 6  | 90 15 05 064 05 90 | cartridge   | 1             | 2             |
| 7  | 09 14 10 190 90    | seal        | 1             | 2             |
| 8  | 09 28 30 030-19    | cover       | 1             | 60            |
| 9  | 90 20 66 027 00-19 | handle      | 1             | 20            |
| 10   | 09 14 10 036 90    | seal        | 1             | 2             |
| 11   | 90 27 22 047 00-19 | rosette     | 1             | -             |
| Spare part can no longer be ordered, please order the replacement item |                    |             |               |               |
| 12   | 09 14 10 050 90    | seal        | 1             | 2             |
| 13   | 04 30 11 040 00 90 | fixing set  | 1             | 2             |
| 14   | 09 20 93 056 90    | insert      | 1             | 2             |
| 15   | 04 30 04 103 00 90 | hose        | 2             | 2             |
| 16   | 04 28 20 067 00 90 | pipe        | 1             | 2             |
| 17   | 90 24 03 253 01 90 | adaptor     | 1             | 2             |
| 18   | 04 21 50 010 00 90 | accessories | 1             | 2             |