

33 870 888



- 240mm projection
- pivotable spout 360°
- Optional swivel limiter available with swivel limiter set 12 823 970 90
- laminar and spray flow
- height of mixer 509 mm
- height up to laminar flow regulator 248 mm
- hole diameter 35 mm
- 2 x pressure hose with 3/8" cap nut
- 1800 mm metal shower hose
- sprayface with anti-scaling system
- max. flow 5.7 l/min at 3 bar flow pressure
- lead-free
- This product can help a building meet the requirements of Green Building Rating Systems, e.g. LEED®, BREEAM®, DGNB

Intrinsic protection against back flow.

Push button locks into spray mode when pressed. To switch back to laminar flow the water must be turned off.

| | | |
|--|-------------------------------|--------------------|
| | Brushed Dark Platinum | 33 870 888-99 0010 |
| | Chrome | 33 870 888-00 0010 |
| | Brushed Platinum | 33 870 888-06 0010 |
| | Platinum | 33 870 888-08 0010 |
| | Durabrace (23kt Gold) | 33 870 888-09 0010 |
| | Dark Chrome | 33 870 888-19 0010 |
| | Brushed Durabrace (23kt Gold) | 33 870 888-28 0010 |
| | Matte Black | 33 870 888-33 0010 |
| | Brushed Champagne (22kt Gold) | 33 870 888-46 0010 |
| | Champagne (22kt Gold) | 33 870 888-47 0010 |
| | Brushed Chrome | 33 870 888-93 0010 |

Recommended miscellaneous

| | | |
|--|--------------------------------|---------------|
| | Swivel limitation set - | 12 823 970 90 |
|--|--------------------------------|---------------|

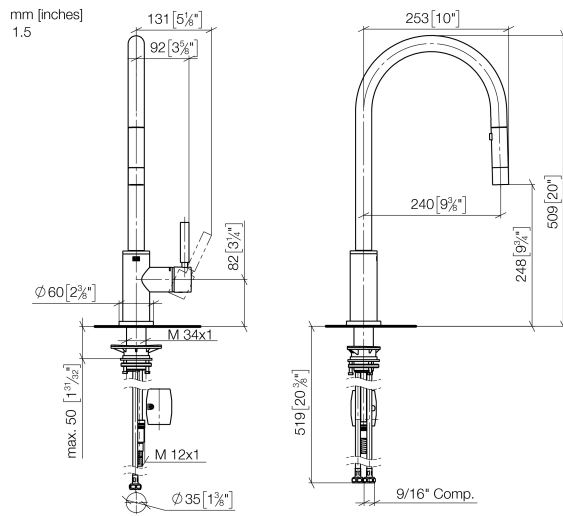
Recommended miscellaneous

| | | |
|--|--|---------------|
| | AIR SWITCH Control button - Brushed Dark Platinum | 10 713 970-99 |
|--|--|---------------|

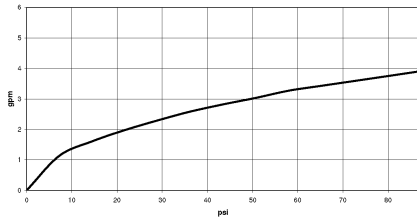
Recommended miscellaneous

| | | |
|--|---|---------------|
| | Dispenser with rosette - Brushed Dark Platinum | 82 444 970-99 |
|--|---|---------------|

33 870 888



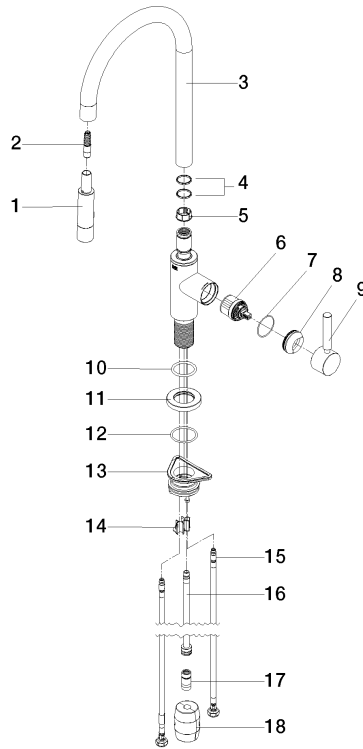
Flow rate chart



Codes & Standards

California Energy
Commission
(CEC)

33 870 888



Spare parts list

| No. | Item Number | Name | Quantity used | Delivery time |
|--|--------------------|-------------|---------------|---------------|
| 1 | 90 12 11 148 00-99 | shower | 1 | 30 |
| 2 | 04 30 02 120 00-85 | hose | 1 | 30 |
| 3 | 90 28 22 304 00-99 | spout | 1 | 30 |
| 4 | 09 28 10 160 90 | ring | 2 | 2 |
| 5 | 09 18 40 186 90 | sleeve | 1 | 2 |
| 6 | 90 15 05 064 05 90 | cartridge | 1 | 2 |
| 7 | 09 14 10 190 90 | seal | 1 | 2 |
| 8 | 09 28 30 030-99 | cover | 1 | 30 |
| 9 | 90 20 66 027 00-99 | handle | 1 | 30 |
| 10 | 09 14 10 036 90 | seal | 1 | 2 |
| 11 | 90 27 22 047 00-99 | rosette | 1 | - |
| Spare part can no longer be ordered, please order the replacement item | | | | |
| 12 | 09 14 10 050 90 | seal | 1 | 2 |
| 13 | 04 30 11 040 00 90 | fixing set | 1 | 2 |
| 14 | 09 20 93 056 90 | insert | 1 | 2 |
| 15 | 04 30 04 103 00 90 | hose | 2 | 2 |
| 16 | 04 28 20 067 00 90 | pipe | 1 | 2 |
| 17 | 90 24 03 253 01 90 | adaptor | 1 | 2 |
| 18 | 04 21 50 010 00 90 | accessories | 1 | 2 |